

GENERAL INFORMATION

TERMS AND CONDITIONS

MELIA ASSOCIATES, LLC OPEN ACCOUNT TERMS

Our terms are Net 30. Accounts over 60 days are placed on hold.

VISA, MasterCard and American Express are accepted.

SPIRAL AND ACCESSORIES

All galvanized products are gasketed.

Stainless steel duct and fittings are Non-Gasketed products.

All prices are list prices (contact your Salesman for multiplier) to Contractors.

UPS or LTL shipments are now plus freight.

Our price lists contain stock sizes. Other sizes are available and may be ordered.

Double wall and Oval (Non-Stock Items) will ship from factory.

All Spiral products are Union and Non-Union.

HETD'S have gasketed seals for connection to flat duct.

Deliveries may be subject to surcharge.

RETURNS

There is a 25% Restocking charge for ANY returned material.

Material being returned MUST be in *AS NEW* condition for credit to be issued.

All material being returned must be authorized by your salesman and accompanied with an RGA.

Only Meila Associates' stock items may be returned for credit.

Made to order spiral is not returnable.

DIRECTIONS TO MELIA ASSOCIATES

43 Thomas Street

East Hartford, CT 06108

860-290-6969

(Warehouse Entrance on George Street)

FROM RTE 2 POINTS EAST OF HARTFORD

Follow Rte. 2 (West) toward Hartford to East Hartford Exit (no exit number), bear left at end of exit.

You will come to a stop sign. Go straight after stop sign and take a right onto George Street.

We are on the right past the first stop sign.

FROM 91 POINTS NORTH OF HARTFORD

91 South to 84 East (left exit). Take the Governor Street exit; which is another left exit (exit 56).

At the end of the exit, bear left. You will come to a stop sign. Go straight through stop sign and

take a right onto George Street. We are on the right past the first stop sign.

FROM 91 POINTS SOUTH OF HARTFORD

91 North to exit 29 the Charter Oak Bridge. Take the exit 90 (first exit) and bear right towards Rte. 2 (West) Hartford.

Follow sign for "East Hartford" exit. At end of exit, bear left. You will come to a stop sign. Go straight after stop sign

and take a right onto George Street. We are on the right past the first stop sign.

FROM 84 POINTS WEST OF HARTFORD

Take the Governor Street exit, left exit 56. At end of exit bear left. You will come to a stop sign.

Go straight after stop sign and take a right onto George Street. We are on the right past the first stop sign.

FROM 84 POINTS EAST OF HARTFORD

Take the Governor Street exit, exit 56. At the end of exit bear left. You will come to a stop sign.

Go straight after stop sign and take a right onto George Street. We are on the right past the first stop sign.



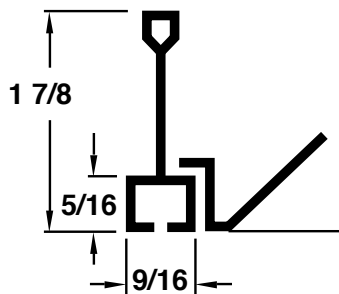
PRODUCT	PAGE
Architectural Diffusers	2
VAV Diffusers	3
Pattern Diffusers	4-5
Full Face Diffusers	6
Perforated Diffusers.....	7
Linear Diffusers/Plenums	8
Round Diffusers	9
Seiho.....	9
Louvered Grilles.....	10-11
Supply Registers.....	12
Eggcrate Grilles	13
Curved Light Shield.....	13
Frames.....	14
Dampers	15
Transitions.....	16
VAV Terminals and Controls.....	17
Radiation Dampers	18
Balance System and Remote Operating Dampers	19
Spiral Grilles	20
Spiral Conversion Chart.....	21
Spiral Duct and Fittings	22
Reducers	23
Saddle Taps	24
Lateral and Conical Taps.....	25
Gasketed Bellmouth, Gasketed Take-Off, Lateral Tees	26
Stainless Steel Duct Products.....	27
Non-Gasketed Bellmouth,Non-Gasketed Take-Off.....	28
Take-Off HETD.....	29
Gripple	30-33
Access Doors.....	34-36
Dampers and Blast Gates	37
Fire Dampers	38
Roof Curbs, Equipment Rails.....	39
Ceiling Fans	40
In-Line Fans	41
Fan Accessories	42
In-Line Duct Fans.....	43
Lint Trap and Duct Fan Accessories.....	44
Useful Engineering Info	45

ARCHITECTURAL DIFFUSERS

OMNI-3 / OMNI-NT

- Architectural plaque diffuser with double thickness face panel provides mar-free finish.
- Highest quality in the industry.
- 360 degree diffusion pattern is excellent for VAV cooling applications.
- 14" is suitable as plenum return grilles.
- 12 x 12 modules require TRM mounting frame. \$52 each
- Provided with earthquake mounting tabs.
- Model DB directional blades. \$6 each
- Available in all aluminum construction for MRI rooms. Call for availability.

CFM @ 30 NC	SIZES	OMNI-3	OMNI-NT	D-100 DAMPER
0-100	(12 x 12) - 6"	\$72	NA	\$30
101-250	(12 x 12) 8"	\$72	NA	\$34
0-175	6"	\$110	\$120	\$30
176-275	8"	\$110	\$120	\$34
276-450	10"	\$110	\$120	\$34
451-600	12"	\$110	\$120	\$38
601-850	14"	\$110	\$120	\$58



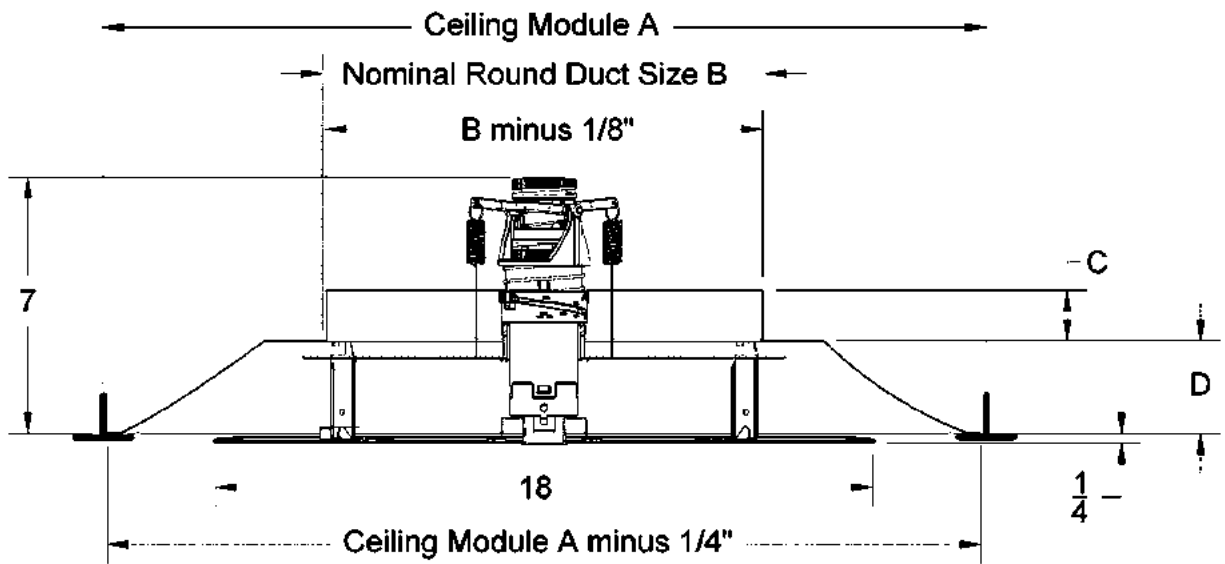
Narrow Tee Detail





T₃SQ-4 Thermally Powered Heating/Cooling VAV Diffuser

Border Type 3 (Lay-In) Full Face



Dimensions are in inches.

Uses OMNI Backpan and Face
Separate Heating/Cooling Setpoints
Minimum Flow Setting

Call for Pricing

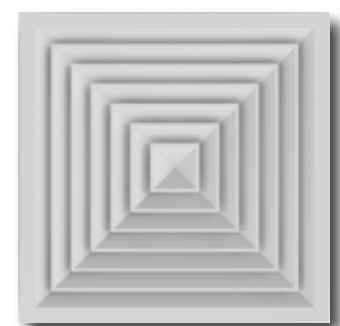
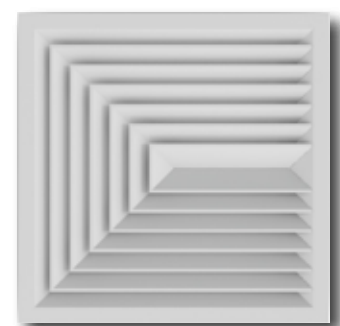
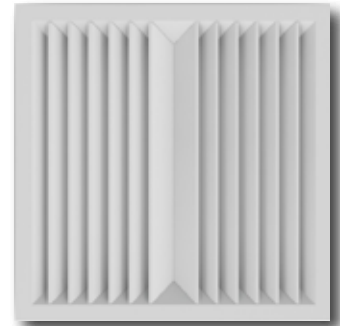
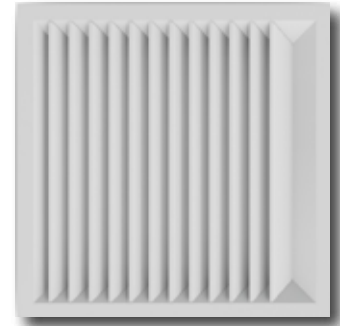
CFM @ .15 inlet SP	NECK SIZE
175	6"
300	8"
400	10"
500	12"

PATTERN DIFFUSERS

Model TDC-1 / TDC-6

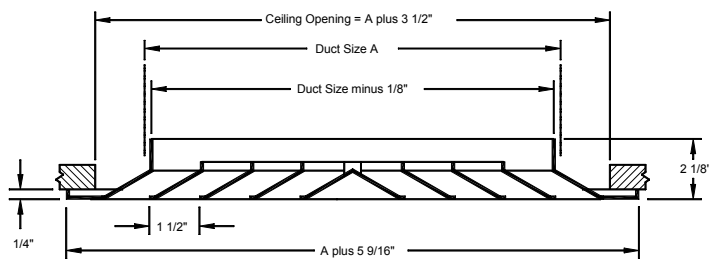
- Available as 1-way, 2-way, 2-way corner, 3-way or 4-way
- Border 1 is flush mounted.
- Border 6 is surface mounted.
- One piece backpan for a clean look.
- Cores are interchangeable.

CFM @ 30 NC	NECK SIZE	TDC-1/6
0-100	6 x 6	\$58
101-250	9 X 9	\$72
251-400	12 x 12	\$100
401-750	15 x 15	\$130
751-1250	18 x 18	\$166



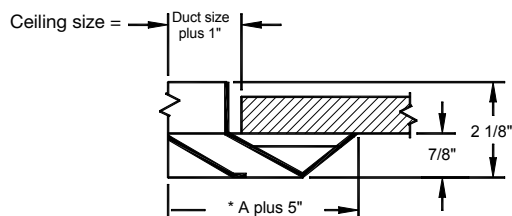
TDC-1

Border Type 1 (Surface Mount) Square or Rectangular Neck



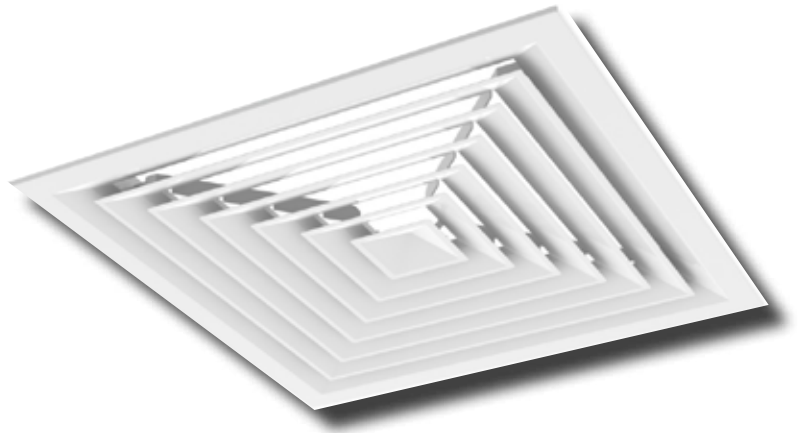
TDC-6

Border Type 6 (Beveled Drop Face)



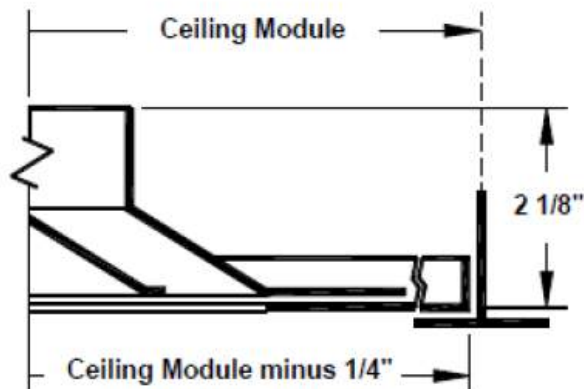
Model TDC-3

- Available as 1-way, 2-way, 2-way corner, 3-way or 4-way
- Excellent diffusers for overhead heating
- 24 x 24 modules with factory sq/rds
- TDC-3 21 x 21 available in 4-way pattern only



CFM @ 30 NC	NECK SIZES	TDC-3 Lay-In	D-100 DAMPER
0-100	6 x 6 - 6"	\$120	\$30
101-250	9 x 9 - 8"	\$136	\$34
251-400	12 x 12 - 10"	\$174	\$34
401-600	15 x 15 - 12"	\$222	\$38
601-750	15 x 15 - 14"	\$222	\$58
751-1350	18 x 18	\$212	NA
900-1750	21 x 21	\$308	NA

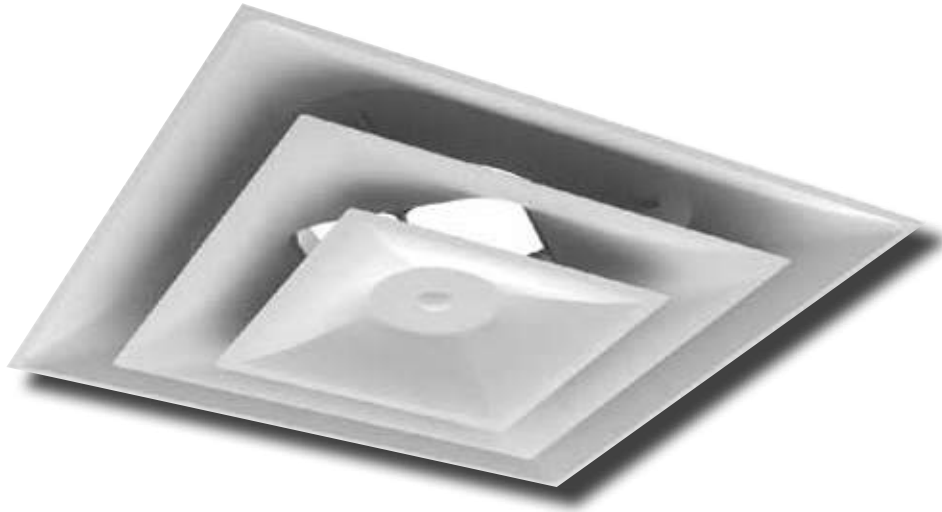
Border Type 3 (Lay-In)



FULL FACE DIFFUSERS

Model TMS Full Face Lay-In Diffuser

- 360 Degree diffusion pattern is excellent for VAV cooling applications.
- Provides uniform look for all neck sizes.
- Provided with earthquake mounting tabs.
- 12 x 12 modules require TRM mounting frame. See page 14.

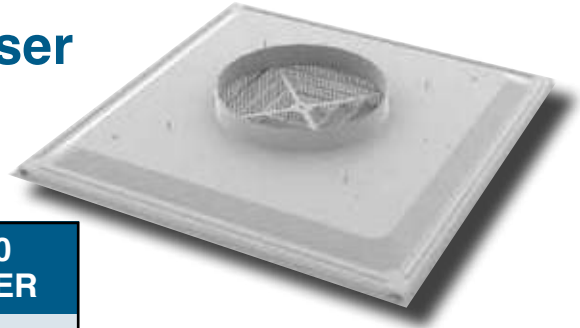


CFM @ 30 NC	NECK SIZES	TMS -3	D-100 DAMPER
0-100	(12 x 12) - 6"	\$68	\$30
101-250	(12 x 12) - 8"	\$68	\$34
0-175	6"	\$100	\$30
176-275	8"	\$100	\$34
276-450	10"	\$100	\$34
451-600	12"	\$100	\$38
601-850	14"	\$100	\$58

PERFORATED DIFFUSERS

Model PSS Perforated Lay-In Diffuser

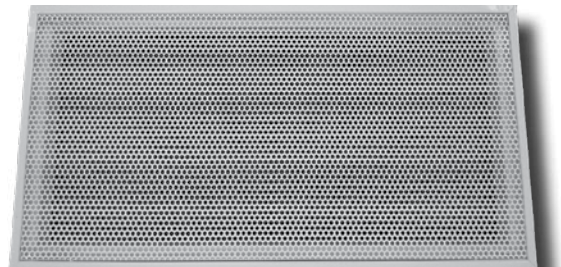
- Perforated flush face diffuser with removable face
- Adjustable pattern controller located in the neck
- Excellent choice as a VAV cooling diffuser



CFM @ 30 NC	NECK SIZES	PSS -3	D-100 DAMPER
0-125	(12 x 12) - 6"	\$100	\$30
0-125	6"	\$100	\$30
126-250	8"	\$100	\$34
251-350	10"	\$100	\$34
351-500	12"	\$100	\$38
501-650	14"	\$100	\$58

Model PAR Perforated Lay-In Return

- Perforated flush face return
- Matches model PSS supply
- Size 22 x 22 available with round necks: 6, 8, 10, 12, 14.



CFM @ 30 NC	NECK SIZES	PAR
0-250	(12 x 12) 10 x 10	\$82
0-1250	22 x 10	\$96
1251-2000	22 x 22	\$98

Model PXP Perforated Lay-In Return

- Perforated panel only
- Economical non ducted plenum return

CFM @ 30 NC	NECK SIZES	PXP
0-1250	24 x 12	\$38
1251-2000	24 x 24	\$48

LINEAR DIFFUSERS/PLENUMS

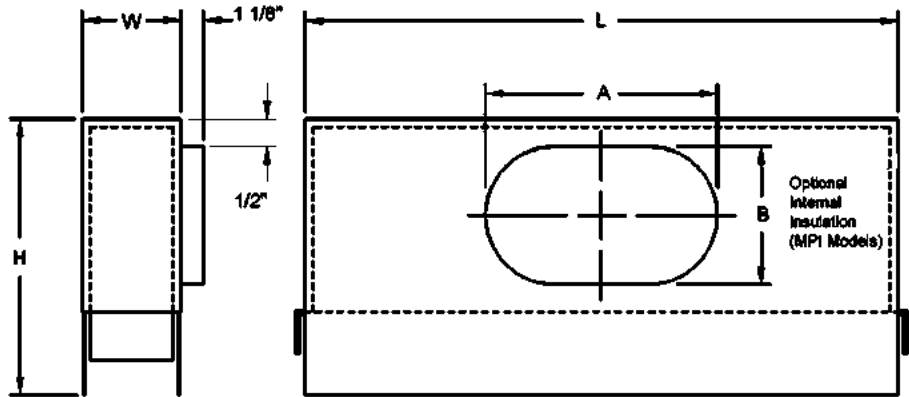
ML-39

- Adjustable pattern controllers provide both vertical and horizontal air patterns and volume control.
- Perfect for perimeter heating/cooling applications.
- 2 ft. and 4 ft. lengths lay-in to standard grid or can be surface mounted.
- 6FT MLF-39 is designed to be field cut and can be combined for continuous appearance.

CFM @ 30 NC	LENGTH	ML-39 (1") 2 SLOT	MPI-39 (1") 2 SLOT
0-100	2 ft.	\$120	\$100
100-200	4 ft.	\$240	\$130
0-300	6 ft.	\$360	NA

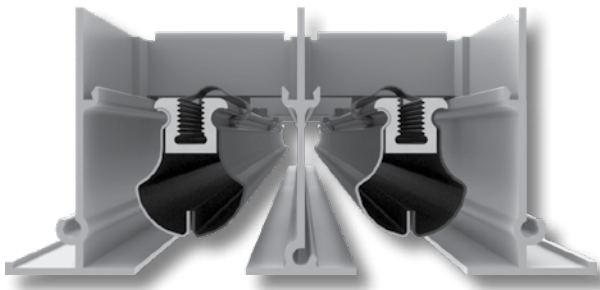
MPI-39 / MPI-39-NT

- Insulated plenums to fit ML-39 linears
- Available in 2 ft. and 4 ft. lengths.
Width = 4-1/8"
Height = 9"
- 4' length with 8" inlet
- 2' length with 6" or 8" inlet

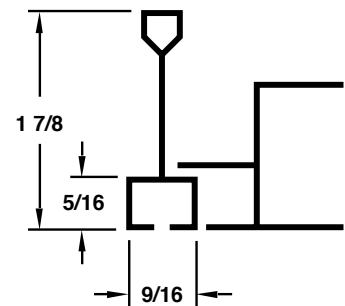
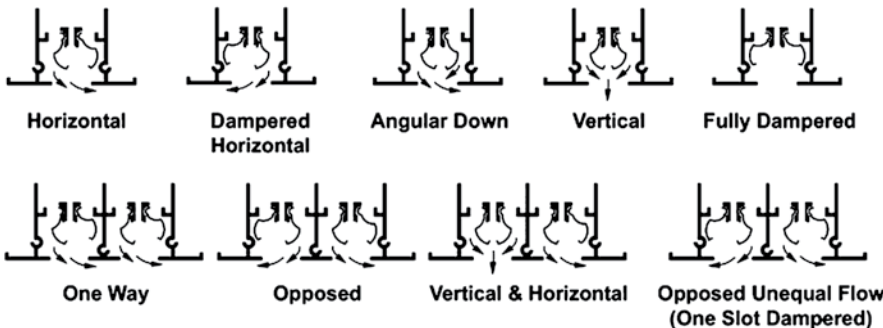


ML-39-NT

- Adjustable slot diffuser that integrates with narrow tee grid.
- Vertical and horizontal air pattern is excellent for perimeter heating and cooling applications.



CFM @ 30 NC	LENGTH	ML-39-NT (1") 2 SLOT
0-100	2 ft.	\$110



Model TMR

- Surface or duct mounted 3 cone diffuser
- 360 degree pattern



CFM @ 30 NC	NECK SIZE	TMR	Damper D-100
0-200	6"	\$170	\$30
201-300	8"	\$186	\$34
301-450	10"	\$206	\$34
451-600	12"	\$234	\$38
601-850	14"	\$266	\$58



Model SFZ C

- Aluminum dryer vent cap
- Integral backdraft damper
- Clear anodized finish

4" \$100
6" \$190



Model SFB

- Aluminum dryer vent
- Backdraft flapper damper
- Clear anodized finish

4" \$104
6" \$176



Model SXN

- Aluminum Vent Louver with insect screen
- Clear anodized finish

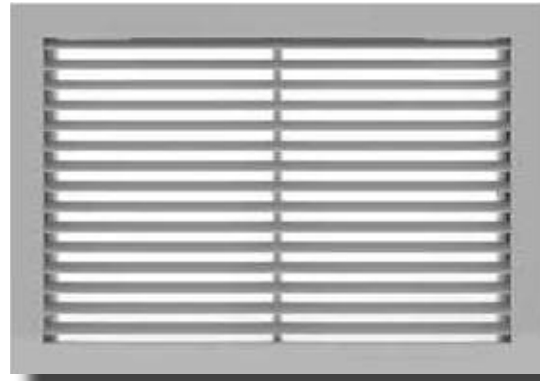
4" \$66
6" \$104
8" \$144



LOUVERED GRILLES

Model 350RL

- 3/4" blade spacing
- Lay-in grilles without screwholes
- Steel construction
- White finish



CFM @ 30 NC	NECK SIZE	350RL
83	6 x 4	\$24
125	6 x 6	\$24
125	8 x 4	\$30
175	8 x 6	\$30
250	8 x 8	\$38
135	10 x 4	\$30
200	10 x 6	\$38
250	10 x 8	\$38
350	10 x 10	\$42
150	12 x 4	\$38
250	12 x 6	\$38
300	12 x 8	\$42
400	12 x 10	\$42
500	12 x 12	\$48
275	14 x 6	\$42
375	14 x 8	\$42
475	14 x 10	\$48
700	14 x 14	\$60
875	14 x 18	\$70
1166	14 x 24	\$82
340	16 x 6	\$44
450	16 x 8	\$48
550	16 x 10	\$54
700	16 x 12	\$60

CFM @ 30 NC	NECK SIZE	350RL
777	16 x 14	\$64
800	16 x 16	\$72
475	18 x 8	\$48
650	18 x 10	\$60
800	18 x 12	\$60
875	18 x 14	\$70
900	18 x 18	\$90
425	20 x 6	\$48
620	20 x 10	\$60
886	20 x 12	\$64
1000	20 x 20	\$108
750	22 x 10	\$60
600	24 x 8	\$60
745	24 x 10	\$66
900	24 x 12	\$72
1100	24 x 14	\$96
1100	24 x 16	\$82
1200	24 x 18	\$108

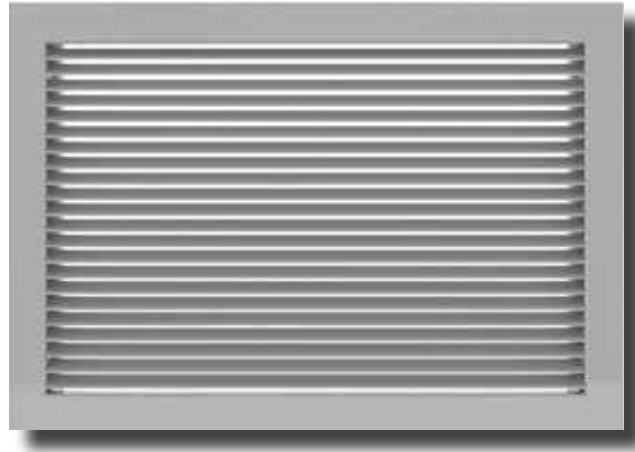
CFM @ 30 NC	NECK SIZE	350RL
1400	24 x 24	\$152
736	30 x 8	\$78
939	30 x 10	\$88
900	30 x 12	\$96
1346	30 x 14	\$106
1300	30 x 18	\$138
1100	36 x 12	\$120
1622	36 x 14	\$126
1275	36 x 18	\$168
1700	36 x 24	\$232
2200	48 x 24	\$290
LAY-INS		
250	8 x 8	\$130
500	12 x 12	\$140
800	16 x 16	\$164
750	22 x 10	\$60
1250	22 x 22	\$128
2000	46 x 22	\$242

LOUVERED GRILLES

Model 355RL

- 1/2" blade spacing
- Lay-in grilles without screwholes
- Steel construction
- White finish

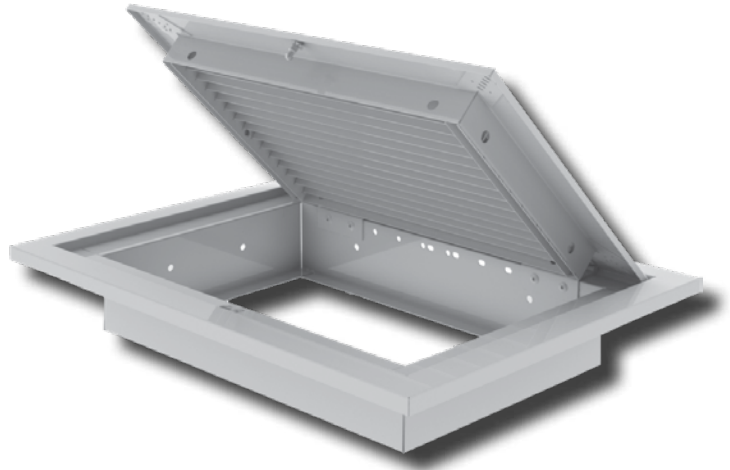
CFM @ 30 NC	NECK SIZE	355RL
125	6 x 6	\$30
225	8 x 8	\$48
350	10 x 10	\$54
450	12 x 12	\$60
650	14 x 14	\$78
800	16 x 16	\$90
1000	18 x 18	\$114
LAY-INS		
750	22 x 10	\$78
1250	22 x 22	\$158



Model 350RLF1

- Lay-in filter grille
- 1250-1500 CFM
- 24 x 24 module 20 x 20 neck
- Filter not included.

\$180

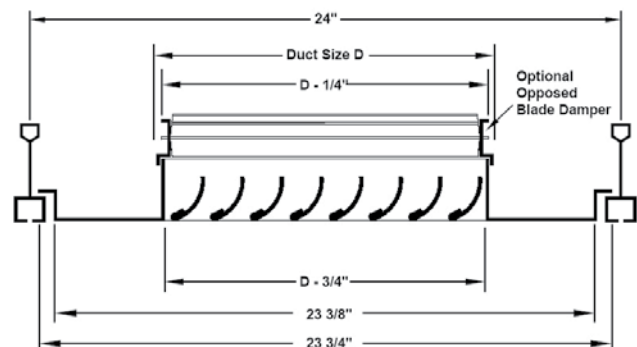


Model 355RL-NT

- Designed to fit narrow tee/bolt slot ceilings
- 1/2" blade spacing
- Steel construction
- White finish

CFM @ 30 NC	NECK SIZES	355 RL-NT
450	22 x 10	\$78
1250	22 x 22	\$158

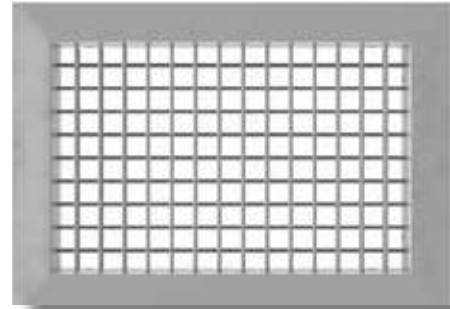
Border Type 1 - Narrow Tee



SUPPLY REGISTERS

Model 300RS Supply Register

- Double deflection supply register
- Opposed blade damper
- 3/4" blade spacing
- Steel construction
- White finish



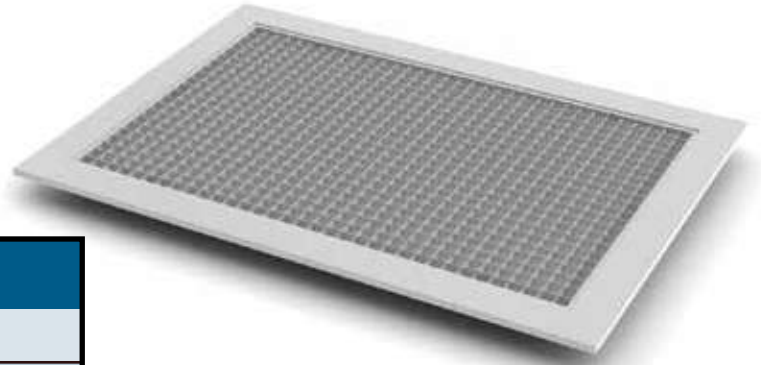
CFM @ 600FPM	NECK SIZE	300RS
90	6 x 4	\$74
115	6 x 6	\$80
115	8 x 4	\$74
150	8 x 6	\$84
220	8 x 8	\$90
150	10 x 4	\$82
200	10 x 6	\$90
260	10 x 8	\$92
350	10 x 10	\$100
150	12 x 4	\$88
245	12 x 6	\$94
340	12 x 8	\$102
430	12 x 10	\$110
525	12 x 12	\$120
290	14 x 6	\$104
390	14 x 8	\$112
500	14 x 10	\$120
550	14 x 12	\$130
340	16 x 6	\$110
450	16 x 8	\$120
575	16 x 10	\$132
725	16 x 12	\$144

CFM @ 600FPM	NECK SIZE	300RS
375	18 x 6	\$120
525	18 x 8	\$132
665	18 x 10	\$146
810	18 x 12	\$156
1240	18 x 18	\$214
430	20 x 6	\$132
550	20 x 8	\$140
735	20 x 10	\$158
525	24 x 6	\$150
725	24 x 8	\$160
890	24 x 10	\$180
1090	24 x 12	\$194
2250	24 x 24	\$358
665	30 x 6	\$186
895	30 x 8	\$208
1100	30 x 10	\$230
1375	30 x 12	\$252
810	36 x 6	\$226
1090	36 x 8	\$256
1375	36 x 10	\$278
1650	36 x 12	\$302

EGGCRATE GRILLES

Model 50F

- 1/2 x 1/2 x 1/2 cube core
- Aluminum
- White finish

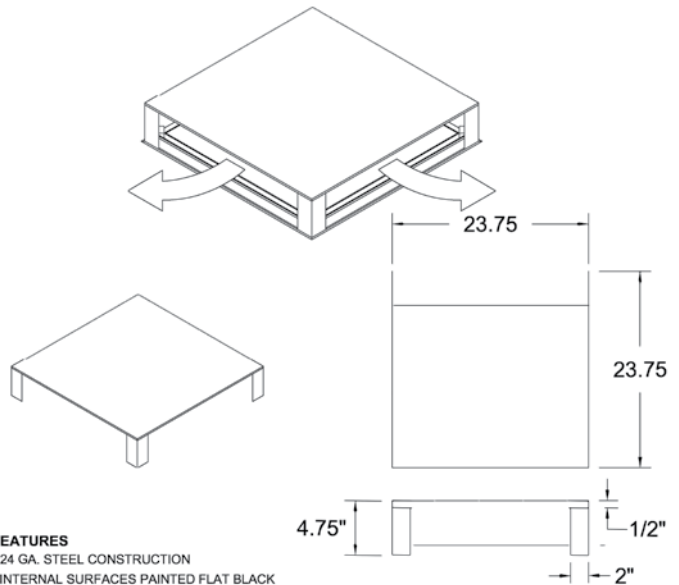


CFM @ 30 NC	NECK SIZE	50 F
150	6 x 6	\$40
275	8 x 8	\$56
475	10 x 10	\$64
750	12 x 12	\$74
900	14 x 14	\$90
1200	16 x 16	\$102
1600	18 x 18	\$122
1000	24 x 12	\$114
2500	24 x 24	\$184
LAY-INS		
1000	22 x 10	\$92
2500	22 x 22	\$154
5000	46 x 22	\$336

TABLE TOP LIGHT SHIELD

Nominal 24x24 Light Shields

List Price \$80



FRAMES

Model TRM Frame

- Allows the easy installation of lay-in diffusers in sheetrock ceilings.
- Allows access to balancing dampers.
- Can be used to mount TDC frame style 1 diffusers in sheetrock.

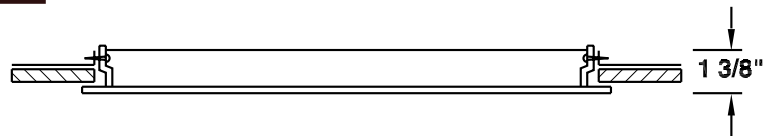
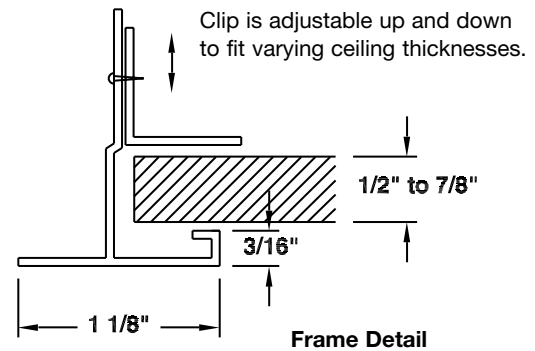
6 x 6 TDC-1 use 12 x 12 frame

9 x 9 TDC-1 use 15 x 15

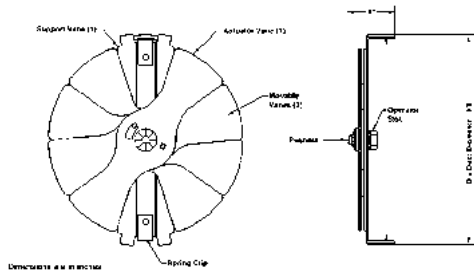
12 x 12 TDC-1 use 18 x 18



SIZE	ROUGH OPENING	TRM
12 x 12	12.5 x 12.5	\$52
15 x 15	15.5 x 15.5	\$70
18 x 18	18.5 x 18.5	\$70
24 x 12	24.5 x 12.5	\$70
24 x 24	24.5 x 24.5	\$70
48 X 24	48.5 X 24.5	\$120

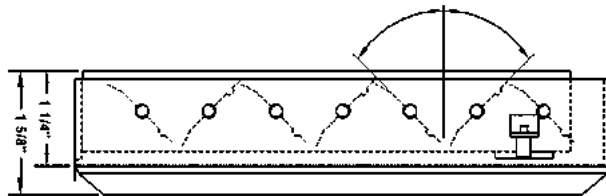


Model D-100



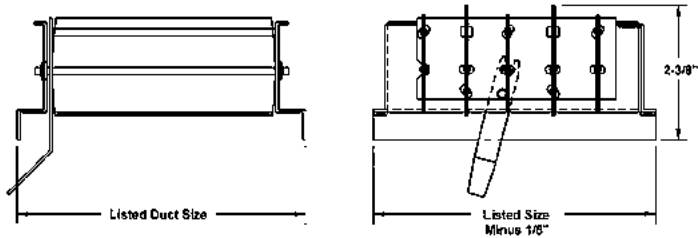
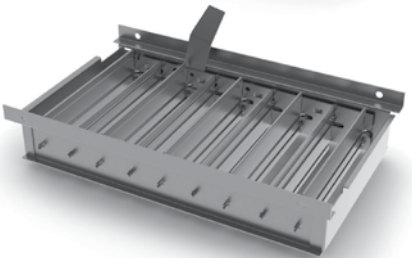
D-100 ROUND DAMPERS				
6"	8"	10"	12"	14"
\$30	\$34	\$34	\$38	\$58

Model AG-15



AG-15 GRILLE DAMPERS								
6 x 6	8 x 8	10 x 10	12 x 12	14 x 14	16 x 16	18 x 18	22 x 10	22 x 22
\$30	\$36	\$40	\$48	\$54	\$62	\$70	\$64	\$94

Model AG-95

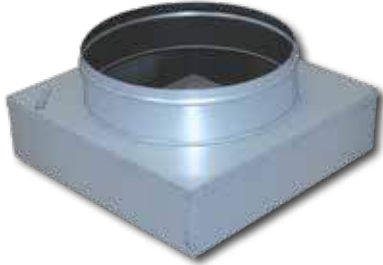


AG-95 DIFFUSER DAMPERS					
6 x 6	9 x 9	12 x 12	15 x 15	18 x 18	21 x 21
\$20	\$30	\$38	\$68	\$104	\$124

TRANSITIONS

Square to Round Transitions

Galvanized Steel



SQUARE SIZE	ROUND NECK	LIST
6 x 6	4, 5, 6	\$26
8 x 8	6, 7, 8	\$30
9 x 9	6, 7, 8, 9	\$33
10 x 10	6, 7, 8, 9, 10	\$33
12 x 12	6, 7, 8, 9, 10, 12	\$36
14 x 14	8, 10, 12, 14	\$41
15 x 15	10, 12, 14	\$44
16 x 16	10, 12, 14, 16	\$55
18 x 18	12, 14, 16, 18	\$62
20-1/2 x 20-1/2	10, 12, 14, 16	\$62
22 x 10	6, 8, 10	\$62
22 x 22	6,8,10,12,14,16,18	\$68

ROUND TO ROUND	LIST
6 / 5	\$36
8 / 6	\$36
8 / 7	\$41
10 / 8	\$41
10 / 9	\$44
12 / 8	\$44
12 / 10	\$44

Box height is 3". Collar height is 2".

Square to Rounds

- 3" Deep square to round transitions for diffusers and grilles
- Highest quality available
- 24 gauge steel
- Interiors painted black

VAV TERMINALS

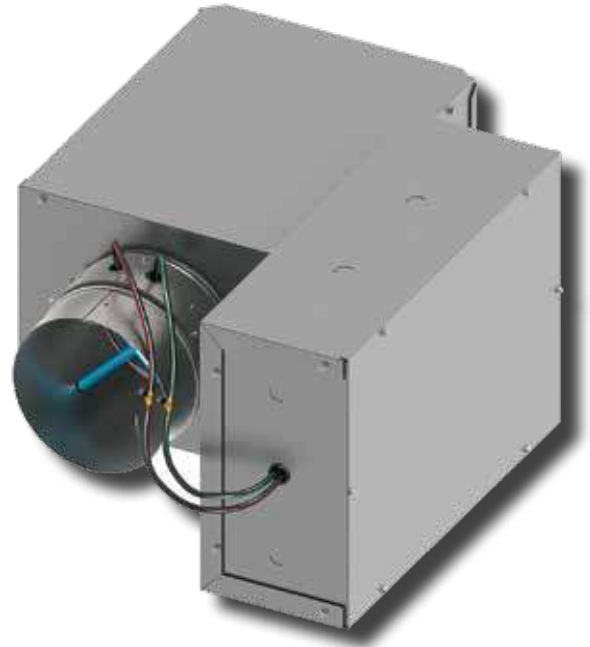
Model DESV Bare Box

- No controls, no actuator
- Includes multipoint inlet sensor
- Control enclosure included
- Stocked with Eco-Shield
(Natural Fiber Duct Liner)

Transformers 120/24 \$106

Titus II Replacement Controller \$490

Pneumatic Replacement Actuator \$190



INLET SIZE	CFM RANGE	OUTLET DIMENSION	DESV (bare box)	2 ROW HW COIL
6"	85-500	12 x 8	\$400	\$280
8"	145-900	12 x 10	\$480	\$360
10"	230-1400	14 x 12.5	\$500	\$480
12"	325-2000	16 x 15	\$520	\$600
14"	450-3000	20 x 17.5	\$660	\$850
16"	580-4000	24 x 18	\$700	\$950

RADIATION DAMPERS



Model C-FS

- 212° link
- 3-4 hour UL listing



SIZES	LIST
22 X 22	\$240
22 X 10	\$170

Model C-RD

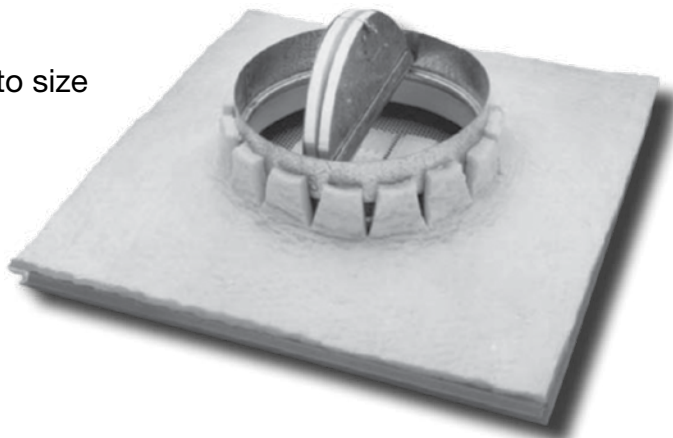
- 212° link
- 3-4 hour UL listing



SIZES	LIST
6"	\$86
8"	\$94
10"	\$100
12"	\$124

Model CK-2000 Thermal Blanket

- Lightweight
- Non-asbestos
- Cut openings to size



SIZES	LIST
24 X 24 X 1/8	\$70

BALANCE SYSTEM AND REMOTE OPERATING DAMPERS

Models i-3 / i-4

Models i-3 and i-4 were developed for air balancing at the mid/duct above inaccessible ceilings with adjustments accomplished by hand-held power packs.



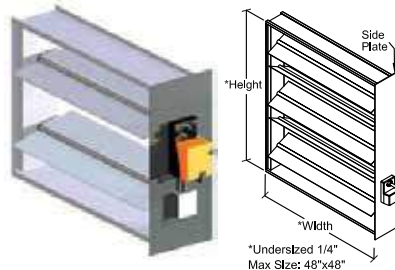
Model i-3 (Round Single Blade)



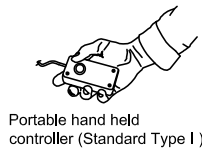
- Features:** Diameter
- Frame:** 24 ga galvanized steel (4" -10"Ø)
 Frame: 20 ga galvanized steel (12" -20" Ø)
- Blade:** 24 ga galvanized steel (4" -10"Ø)
 Blade: 20 ga galvanized steel (12"-20"Ø)
- Bearings:** Nylon 6/6 molded synthetic
- Axles:** Zinc Plated Steel pins

Options:

Model i-4 (Rectangular with Side Plate)

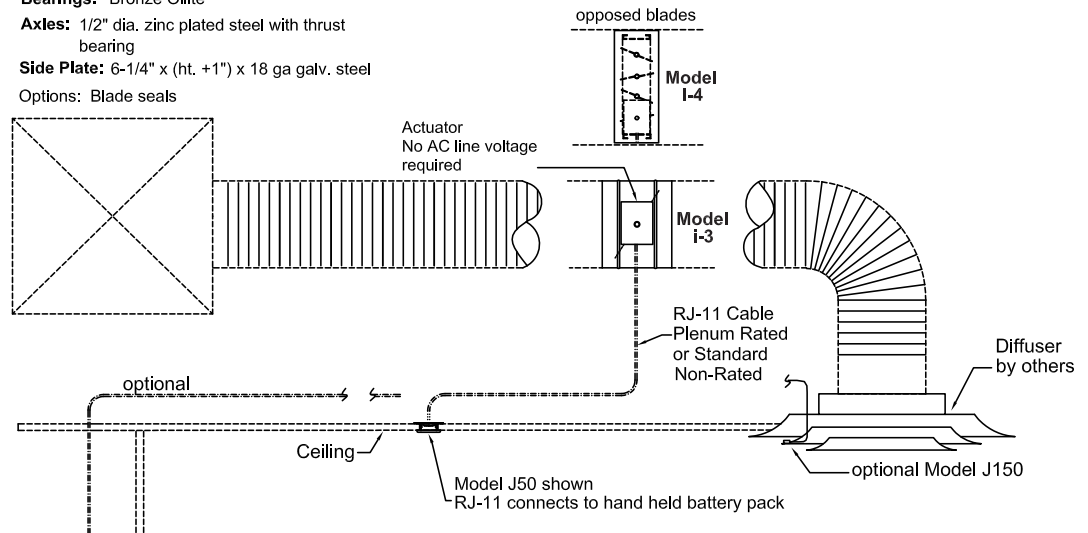


- Features:**
- Frame:** .081" Extruded Aluminum, 4-1/2" deep
- Blade:** .125" Extruded Aluminum
 Exception- formed aluminum single blade thru 12" height
- Bearings:** Bronze Oilite
- Axles:** 1/2" dia. zinc plated steel with thrust bearing
- Side Plate:** 6-1/4" x (ht. +1") x 18 ga galv. steel
- Options:** Blade seals



Portable hand held controller (Standard Type I)

Optional:
 Type II (blade position percentage dial indicator)

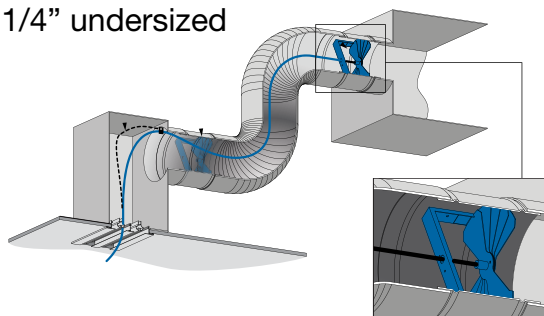


REMOTE CABLE DAMPERS

Cable Volume Dampers

Features

- Operator end with nylon cable clamp
- Steel radial blade damper - 1/4" undersized



SIZE (DIAMETER)	CABLE LENGTH	LIST
6"	6 ft.	\$180
8"	6 ft.	\$188
10"	6 ft.	\$194
12"	6 ft.	\$208

SPIRAL DUCT AND FITTINGS

RGS-3 Performance Data

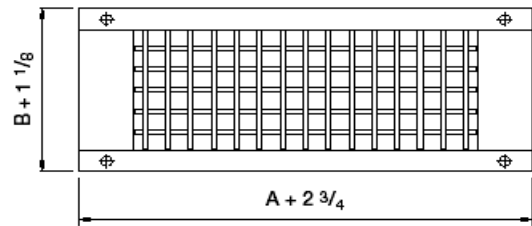
REGISTER NOMINAL SIZE	MIN. DIA (IN)	FREE AREA (FT ²)	DUCT OPENING A X B	LIST	CFM BASED ON NC 30
13 x 3	6	0.18	12-3/4 x 3	\$115	160
17 x 3	6	0.25	16-3/4 x 3	\$120	200
13 x 6	12	0.36	12-3/4 x 6	\$125	280
17 x 6	12	0.48	16-3/4 x 6	\$155	300
21 x 6	12	0.60	20-5/8 x 6	\$175	370
25 x 6	12	0.73	24-5/8 x 6	\$210	450
33 x 6	12	1.00	32-1/2 x 6	\$255	500
41 x 6	12	1.20	40-3/8 x 6	\$275	580
17 x 9	20	0.60	16-3/4 x 8-7/8	\$134	420
21 x 9	20	1.00	20-5/8 x 8-7/8	\$194	510
25 x 9	20	1.20	24-5/8 x 8-7/8	\$235	580

RGS-3 mounts directly to duct, no register saddle required, no sealer required

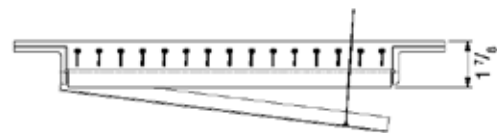
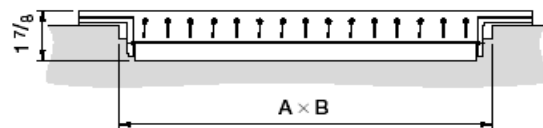
Galvanized Steel - Mill Finished, Not Painted



Vertical Front Blades, Horizontal Rear Blades, Scoop Damper.



Screws for mounting are supplied with the register.



Conversion Chart: Rectangular to Equivalent Round

a [*]	4	6	8	10	12	14	16	18	20	22	24	26	28	30	32	34	36	38	40
3	3.8	4.6	5.2	5.7	6.2	6.6	7.0	7.3	7.7	8.0	8.3	8.5	8.8	9.0	9.3	9.5	9.7	9.9	10.1
4	4.4	5.3	6.1	6.7	7.3	7.8	8.3	8.7	9.1	9.5	9.8	10.1	10.4	10.7	11.0	11.3	11.5	11.8	12.0
5	4.9	6.0	6.9	7.6	8.3	8.9	9.4	9.9	10.3	10.8	11.2	11.5	11.9	12.2	12.6	12.9	13.2	13.5	13.8
6	5.3	6.6	7.6	8.4	9.1	9.8	10.4	11.0	11.5	12.0	12.4	12.8	13.2	13.6	14.0	14.4	14.7	15.0	15.3
7	5.7	7.1	8.2	9.1	9.9	10.7	11.3	11.9	12.5	13.0	13.5	14.0	14.5	14.9	15.3	15.7	16.1	16.5	16.8
8	6.1	7.6	8.7	9.8	10.7	11.5	12.2	12.9	13.5	14.1	14.6	15.1	15.6	16.1	16.5	17.0	17.4	17.8	18.2
9	6.4	8.0	9.3	10.4	11.3	12.2	13.0	13.7	14.4	15.0	15.6	16.2	16.7	17.2	17.7	18.2	18.6	19.0	19.5
10	6.7	8.4	9.8	10.9	12.0	12.9	13.7	14.5	15.2	15.9	16.5	17.1	17.7	18.3	18.8	19.3	19.8	20.2	20.7
11	7.0	8.8	10.2	11.5	12.6	13.5	14.4	15.3	16.0	16.8	17.4	18.1	18.7	19.3	19.8	20.4	20.9	21.4	21.8
12	7.3	9.1	10.7	12.0	13.1	14.2	15.1	16.0	16.8	17.6	18.3	19.0	19.6	20.2	20.8	21.4	21.9	22.4	22.9
13	7.6	9.5	11.1	12.4	13.7	14.7	15.7	16.7	17.5	18.3	19.1	19.8	20.5	21.1	21.8	22.4	22.9	23.5	24.0
14	7.8	9.8	11.5	12.9	14.2	15.3	16.4	17.3	18.2	19.1	19.9	20.6	21.3	22.0	22.7	23.3	23.9	24.5	25.0
15	8.0	10.1	11.8	13.3	14.6	15.8	16.9	17.9	18.9	19.8	20.6	21.4	22.1	22.9	23.5	24.2	24.8	25.4	26.0
16	8.3	10.4	12.2	13.7	15.1	16.4	17.5	18.5	19.5	20.4	21.3	22.1	22.9	23.7	24.4	25.1	25.7	26.4	27.0
17	8.5	10.7	12.5	14.1	15.6	16.8	18.0	19.1	20.1	21.1	22.0	22.9	23.7	24.4	25.2	25.9	26.6	27.2	27.9
18	8.7	11.0	12.9	14.5	16.0	17.3	18.5	19.7	20.7	21.7	22.7	23.5	24.4	25.2	26.0	26.7	27.4	28.1	28.8
19	8.9	11.2	13.2	14.9	16.4	17.8	19.0	20.2	21.3	22.3	23.3	24.2	25.1	25.9	26.7	27.5	28.2	28.9	29.6
20	9.1	11.5	13.5	15.2	16.8	18.2	19.5	20.7	21.9	22.9	23.9	24.9	25.8	26.6	27.5	28.3	29.0	29.8	30.5
22	9.5	12.0	14.1	15.9	17.6	19.1	20.4	21.7	22.9	24.0	25.1	26.1	27.1	28.0	28.9	29.7	30.5	31.3	32.1
24	9.8	12.4	14.6	16.5	18.3	19.9	21.3	22.7	23.9	25.1	26.2	27.3	28.3	29.3	30.2	31.1	32.0	32.8	33.6
26	10.1	12.8	15.1	17.1	19.0	20.6	22.1	23.5	24.9	26.1	27.3	28.4	29.5	30.5	31.5	32.4	33.3	34.2	35.1
28	10.4	13.2	15.6	17.7	19.6	21.3	22.9	24.4	25.8	27.1	28.3	29.5	30.6	31.7	32.7	33.7	34.6	35.6	36.4
30	10.7	13.6	16.1	18.3	20.2	22.0	23.7	25.2	26.6	28.0	29.3	30.5	31.7	32.8	33.9	34.9	35.9	36.8	37.8
32	11.0	14.0	16.5	18.8	20.8	22.7	24.4	26.0	27.5	28.9	30.2	31.5	32.7	33.9	35.0	36.1	37.1	38.1	39.0
34	11.3	14.4	17.0	19.3	21.4	23.3	25.1	26.7	28.3	29.7	31.1	32.4	33.7	34.9	36.1	37.2	38.2	39.3	40.3
36	11.5	14.7	17.4	19.8	21.9	23.9	25.7	27.4	29.0	30.5	32.0	33.3	34.6	35.9	37.1	38.2	39.4	40.4	41.5
38	11.8	15.0	17.8	20.2	22.4	24.5	26.4	28.1	29.8	31.3	32.8	34.2	35.6	36.8	38.1	39.3	40.4	41.5	42.6
40	12.0	15.3	18.2	20.7	22.9	25.0	27.0	28.8	30.5	32.1	33.6	35.1	36.4	37.8	39.0	40.3	41.5	42.6	43.7
42	12.3	15.6	18.5	21.1	23.4	25.6	27.6	29.4	31.2	32.8	34.4	35.9	37.3	38.7	40.0	41.3	42.5	43.7	44.8
44	12.5	15.9	18.9	21.5	23.9	26.1	28.1	30.0	31.8	33.5	35.1	36.7	38.1	39.5	40.9	42.2	43.5	44.7	45.8
46	12.7	16.2	19.3	21.9	24.4	26.6	28.7	30.6	32.5	34.2	35.9	37.4	38.9	40.4	41.8	43.1	44.4	45.7	46.9

$$D_e = 1.30[(ab)^{0.635}/(a+b)^{0.025}]$$

a=length of one side of rectangular duct

b= length of adjacent side of rectangular duct

D_e=circular equivalent of rectangular duct for equal friction and capacity

Example:

Convert rectangular duct 22 x 12 to equivalent round.

a=22, b=12; from above table D_e=17.6, use 18"Ø

SPIRAL DUCT AND *GASKETED FITTINGS

SIZE	SPIRAL DUCT SRA	*END CAP EC	*COUPLING PIPE PCP	COUPLING FITTING FCP	*ELBOW-45 1.5 R	*ELBOW-90		*SLEEVED DAMPER DMP	*90° TEES T90
						1 R	1.5 R		
DIA	PER FT*/ LIST	LIST PRICE	LIST PRICE	LIST PRICE	LIST PRICE	LIST PRICE		LIST PRICE	LIST PRICE
3	\$6.50	\$14	\$12	\$9	\$29	----	\$39	\$59	\$52
4	\$4	\$22	\$16	\$17	\$36	----	\$38	\$49	\$54
5	\$5	\$22	\$17	\$19	\$36	----	\$39	\$55	\$56
6	\$5	\$24	\$18	\$19	\$39	\$42	\$42	\$57	\$66
7	\$6	\$26	\$21	\$19	\$43	----	\$59	\$61	\$126
8	\$6	\$28	\$22	\$20	\$47	\$66	\$66	\$64	\$78
9	\$7	\$29	\$21	\$21	\$59	\$86	\$86	\$68	\$153
10	\$9	\$33	\$23	\$23	\$65	\$95	\$95	\$70	\$117
12	\$11	\$35	\$31	\$23	\$81	\$130	\$130	\$78	\$195
14	\$12	\$40	\$34	\$24	\$130	\$181	\$181	\$90	\$244
16	\$18	\$53	\$40	\$24	\$145	\$231	\$231	\$98	\$279
18	\$20	\$61	\$44	\$25	\$165	\$283	\$283	\$104	\$393
20	\$21	\$69	\$48	\$25	\$173	\$258	\$338	\$113	\$428
22	\$23	\$78	\$52	\$26	\$224	\$399	\$399	\$121	\$468
24	\$26	\$91	\$55	\$26	\$251	\$425	\$429	\$131	\$506
26	\$29	\$105	\$68	\$31	\$277	\$451	----	\$142	----
28	\$38	\$115	\$78	\$34	\$354	\$507	----	\$152	----
30	\$40	\$120	\$82	\$29	\$438	\$565	----	\$162	----
32	\$42	\$127	\$90	\$47	\$494	\$650	----	----	----
34	\$44	\$136	\$104	\$56	\$559	\$753	----	----	----
36	\$47	\$152	\$116	\$50	\$602	\$909	----	----	----

Custom lengths available. Contact your sales person if you require special lengths. Union Pipe available. Call for pricing. 26" and larger call for availability.



SPIRAL DUCT AND GASKETED FITTINGS

Reducers
Pressed RDS



Reducers
Fabricated RDL



SIZE	LIST
4/3	\$26
5/4	\$30
6/4	\$33
6/5	\$33
7/6	\$34
8/4	\$39
8/5	\$39
8/6	\$39
8/7	\$39
9/6	\$44
9/7	\$44
9/8	\$44
10/6	\$49
10/7	\$49
10/8	\$49
10/9	\$49
12/6	\$70
12/8	\$56
12/9	\$56
12/10	\$56
14/8	\$75
14/9	\$62

SIZE	LIST
14/10	\$62
14/12	\$62
16/8	\$78
16/10	\$78
16/12	\$78
16/14	\$78
18/10	\$114
18/12	\$114
18/14	\$114
18/16	\$114
20/12	\$145
20/14	\$145
20/16	\$145
20/18	\$145
22/14	\$165
22/16	\$165
22/18	\$165
22/20	\$165
24/16	\$182
24/18	\$182
24/20	\$182
24/22	\$182

SIZE	LIST
26/20	\$200
26/22	\$200
26/24	\$200
28/22	\$225
28/24	\$225
28/26	\$225
30/24	\$247
30/26	\$247
30/28	\$247
32/30	\$269
34/32	\$299
36/32	\$343
36/34	\$343

26" call for availability

Not all fittings Union made

Custom sizes available on request

If you don't see the sizes you need here, please contact your sales person. We can special order unusual or uncommon sizes to meet your project requirements.

SPIRAL DUCT AND GASKETED FITTINGS

Saddle Taps
Pressed - ST



Saddle Taps
Fabricated - FT



SIZE	LIST
4 on 4	\$29
4 on 6	\$29
4 on 7/8	\$29
4 on 10	\$29
4 on 12/14	\$38
6 on 6	\$38
6 on 7/8	\$38
6 on 9/12	\$38
6 on 14/16	\$38
6 on 20/24	\$38
8 on 8	\$44
8 on 9/10	\$44

SIZE	LIST
8 on 12/14	\$44
8 on 16/18	\$44
8 on 20/24	\$44
10 on 10	\$49
10 on 12	\$49
10 on 14/16	\$49
10 on 18/20	\$49
10 on 22/24	\$49
12 on 12	\$60
12 on 14/16	\$60
12 on 18/20	\$60
12 on 22/24	\$60

SIZE	LIST
5 on 7/8	\$64
5 on 9/10	\$64
5 on 12	\$64
5 on 14	\$64
5 on 16	\$72
7 on 7	\$72
7 on 9	\$72
7 on 12	\$72
7 on 14	\$72
7 on 16	\$72
7 on 18	\$72
7 on 20	\$72
9 on 9	\$79
9 on 12	\$79
9 on 14	\$79
9 on 18	\$79
14 on 14	\$100

SIZE	LIST
14 on 16	\$100
14 on 18	\$100
14 on 20	\$100
14 on 22	\$100
14 on 24	\$100
16 on 16	\$109
16 on 18	\$109
16 on 20	\$109
16 on 22	\$109
16 on 24	\$109
18 on 18	\$112
18 on 20	\$112
18 on 22	\$112
18 on 24	\$112
20 on 22	\$116
20 on 24	\$116

Not all fittings Union made

SPIRAL DUCT AND GASKETED FITTINGS

Lateral Tap 45°
Stamped LT



SIZE	LIST
4 on 6	\$56
4 on 8	\$56
6 on 6	\$68
6 on 8	\$68
6 on 10	\$68
8 on 10	\$73
8 on 12	\$73
10 on 12	\$88
10 on 14	\$88
12 on 14	\$96
12 on 16	\$96
14 on 16	\$100
14 on 18	\$100
16 on 18	\$109
16 on 20	\$109
18 on 20	\$113
18 on 22	\$113
20 on 22	\$116
20 on 24	\$116

Tap
Fabricated SFT



SIZE	LIST
14 on 26	\$100
18 on 26	\$113
22 on 26	\$120
18 on 28	\$113
20 on 28	\$115
24 on 28	\$123
20 on 30	\$115
24 on 30	\$123
26 on 30	\$130

26" and larger call for availability

Custom sizes available on request

If you don't see the sizes you need here, please contact your sales person. We can special order custom or uncommon sizes to meet your project requirements.

Not all fittings Union made

SPIRAL DUCT AND GASKETED FITTINGS

Gasketed Bellmouth
Short Radius - PB



DIA	LIST
4	\$18
5	\$20
6	\$26
7	\$29
8	\$31
9	\$35
10	\$36
12	\$40
14	\$55
16	\$66

Gasketed Take-Off
No Radius - TO



DIA	LIST
3	\$18
18	\$61
20	\$69
22	\$78
24	\$92
26	\$105
28	\$114
30	\$120
32	\$127
34	\$137
36	\$152

Non-Gasketed Take-Offs, Bellmouths,
Bellmouths with dampers, and high
Efficiency Take-Offs are available.
Please see pages 32 and 33.

26" and larger call for availability

Not all fittings Union made



Lateral Tee - 45°
Full Body Lateral - T45

SIZE	LIST
4/3	\$105
6/4	\$109
8/6	\$117
10/8	\$135
12/10	\$168
14/12	\$239

SPIRAL DUCT AND GASKETED FITTINGS

304 Stainless Steel Spiral Duct and Fittings

304 SS LIST PRICING								
DIA	PER FT*	E90SS	E45SS	PCPSS	FCPSS	ECSS	SCSS	DIA
4	\$20	\$245	\$175	\$18	\$27	\$35	\$21	4
6	\$26	\$280	\$198	\$19	\$29	\$40	\$32	6
8	\$35	\$430	\$298	\$24	\$37	\$50	\$40	8
10	\$42	\$300	\$190	\$30	\$46	\$56	\$45	10
12	\$51	\$250	\$160	\$42	\$64	\$60	\$58	12
14	\$59	\$350	\$220	\$47	\$72	\$85	\$62	14



Spiral Duct SS*
SRASS



E90SS
1.0 RAD



E45SS
1.0 RAD



Pipe Coupling SS
PCPSS



Fitting Coupling SS
FCPSS



End Cap SS
ECSS



Start Collar SS
SCSS

SIZE	REDSS
6/4	\$79
8/6	\$105
10/8	\$118
12/10	\$143
14/12	\$168



Reducer SS
REDSS

All SS fittings are non-gasketed.

*Available in ten foot lengths.
No custom cutting.

Not all fittings Union made

NON-GASKETED BELLMOUTH FITTINGS & TAKE-OFFS

Model NGB

Short Radius - No Damper



DIA	LIST
18	\$135
20	\$150
22	\$170
24	\$185
26	\$200
28	\$225
30	\$245
32	\$270
34	\$285
36	\$305

Model NGB-D

Short Radius with Damper



DIA	LIST
5	\$40
6	\$42
7	\$44
8	\$45
9	\$58
10	\$63
12	\$68
14	\$85
16	\$100
18	\$110
20	\$120

Construction Features:

- 26 ga. galvanized steel
- Damper constructed of 26 ga. galvanized steel
- 1 1/2" Full perimeter flange locking damper

Model AT-D

Stick-On Flange



DIA	LIST
5	\$24
6	\$24
7	\$24
8	\$27
9	\$30
10	\$36

DIA	LIST
12	\$38
14	\$50
16	\$60
18	\$107
20	\$170

NON-GASKETED BELLMOUTH FITTINGS & TAKE-OFFS

Model HETD

Take-Off
Stick-On

Construction Features:

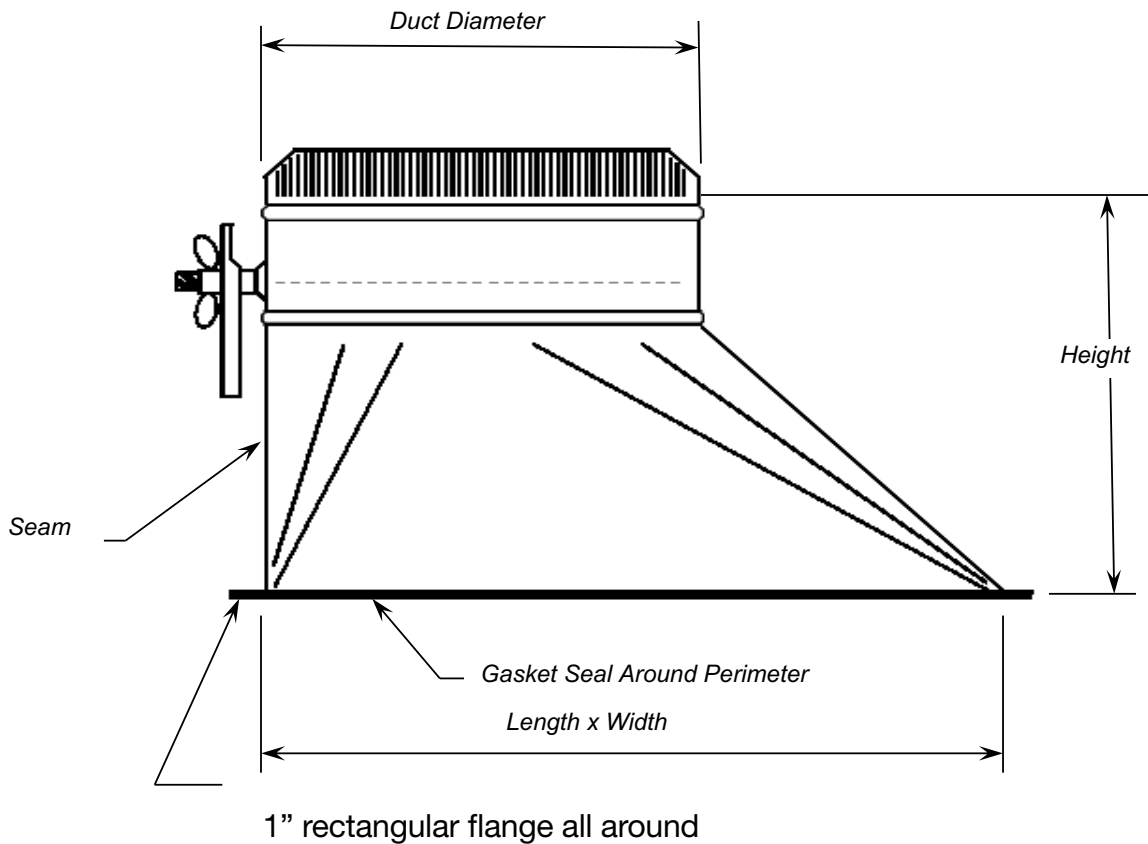
- 26 ga. galvanized steel
- Damper constructed of 26 ga. galvanized steel
- 1 1/2" Full perimeter flange locking damper
- 1/8" Neoprene gasket on flange



DIAMETER	4"	5"	6"	7"	8"	9"	10"	12"	14"	16"
HEIGHT	9	9	9	9	9.5	9	9	10	11	12.5
BASE LENGTH	10	10	12	12	12	15	16	18	20	23.5
BASE WIDTH	4	5	6	6	6	6.75	7	9	9.75	12
GAUGE	26	26	26	26	26	26	26	26	26	26
LIST	\$45	\$45	\$45	\$52	\$70	\$78	\$84	\$102	\$145	\$262

Length = duct opening; Width = duct opening; Height is to the lip bead and does not include crimp end.

HETD Take-Off Dimensional Data



G GRIPPLE®



C-Clip



Cable Strut Kit



Standard Hanger



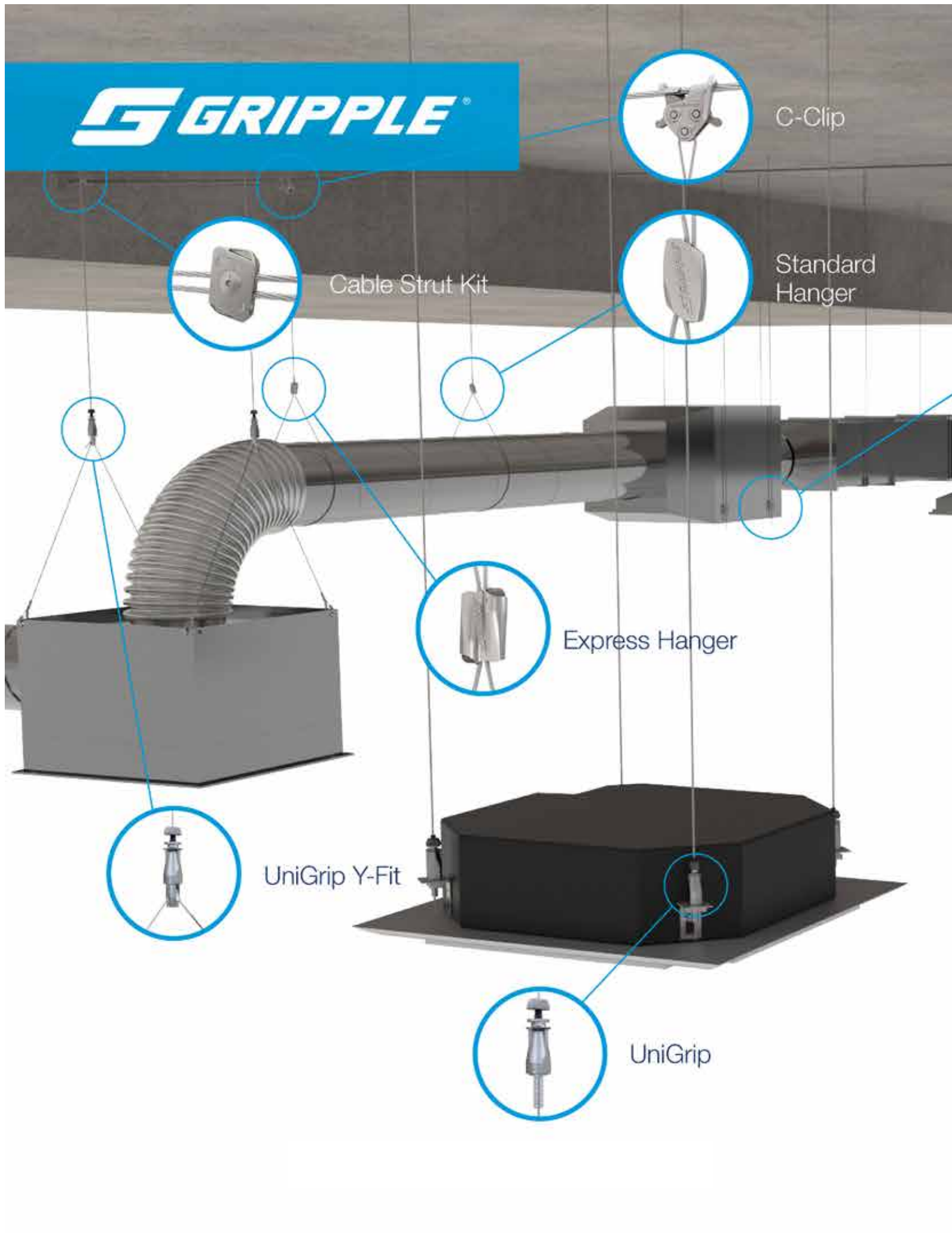
Express Hanger

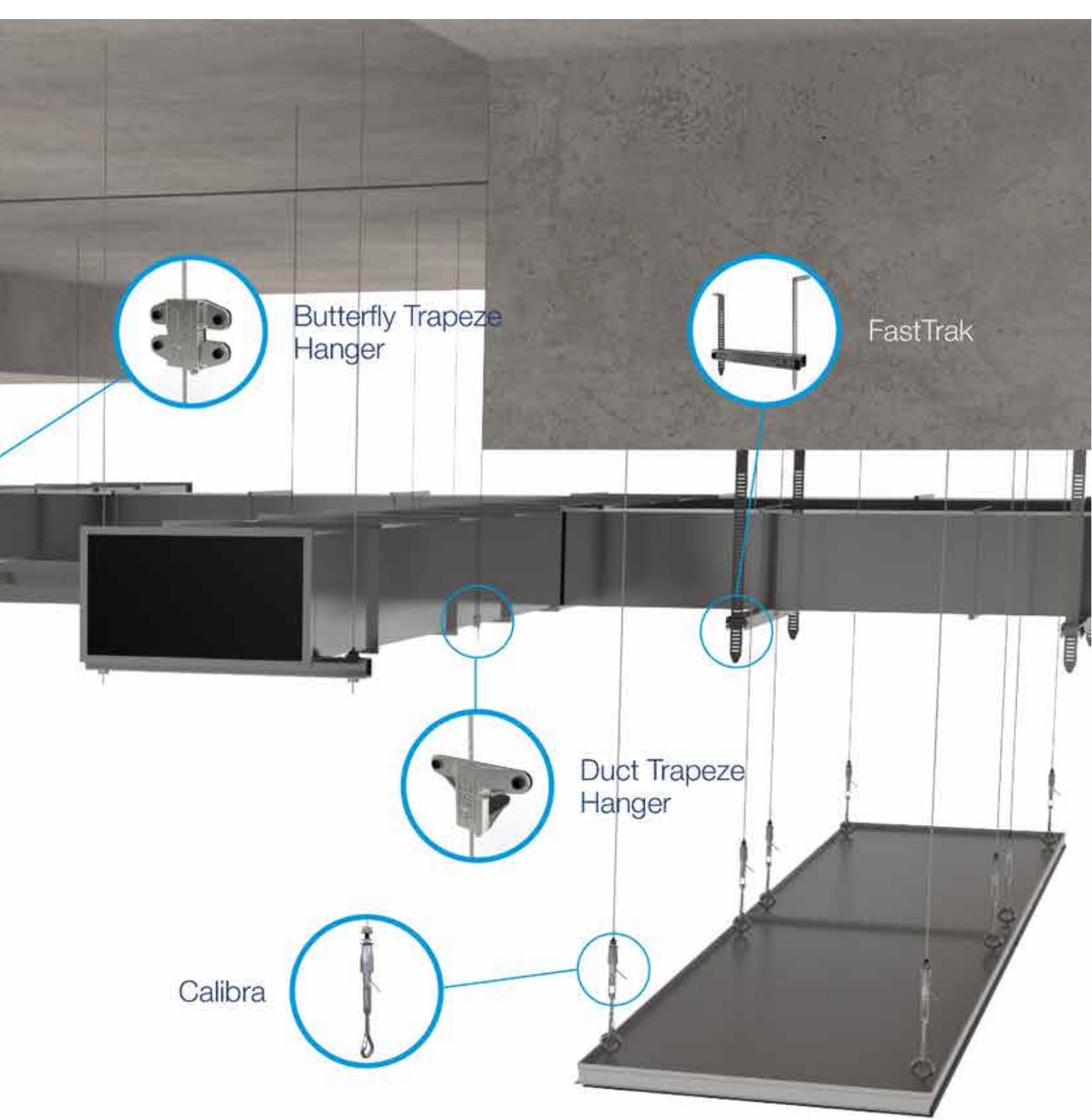


UniGrip Y-Fit



UniGrip





Butterfly Trapeze Hanger

FastTrak

Duct Trapeze Hanger

Calibra

Currently stocking **Gripple Standard Hanger, Duct Trapeze, 90° Eyelet, and Loop End Fixings.**

Gripple has many Cable Hanger products available other than shown here — please call us for your application.



- 50% faster than threaded rod
- Saves on installation time
- Ready-to-use kits
- Multiple-end fixing options
- 5 load-rated sizes
- Lightweight and safe
- Versatile

SIZE	PART#	CABLE LENGTH	BAG QTY	LIST/BAG	CASE QTY	LIST/CASE DISCOUNT
No. 1 Max. Safe Working Load 25lbs. LOOP	HF1-LG-5FT	5 ft	10	\$99	250	\$2,294
	HF1-LG-10FT	10 ft	10	\$120	200	\$2,240
	HF1-LG-15FT	15 ft	10	\$199	150	\$1,989
	HF1-LG-30FT	30 ft	10	\$204	80	\$1,525
No. 2 Max. Safe Working Load 100lbs. LOOP	HF2-LG-5FT	5 ft	10	\$116	150	\$1,623
	HF2-LG-10FT	10 ft	10	\$140	100	\$1,298
	HF2-LG-15FT	15 ft	10	\$161	80	\$1,202
	HF2-LG-30FT	30 ft	10	\$231	50	\$1,079
No. 3 Max. Safe Working Load 200lbs. LOOP	HF3-LG-5FT	5 ft	10	\$143	80	\$1,068
	HF3-LG-10FT	10 ft	10	\$169	50	\$788
	HF3-LG-15FT	15 ft	10	\$195	40	\$728
	HF3-LG-30FT	30 ft	10	\$279	20	\$520
No. 4 Max. Safe Working Load 495lbs. LOOP	HF4-LG-10FT	10 ft	5	\$183	30	\$1,023
	HF4-LG-15FT	15 ft	5	\$207	30	\$1,155
	HF4-LG-30FT	30 ft	5	\$282	20	\$1,053
No. 5 Max. Safe Working Load 715lbs. LOOP	HF5-LG-15FT	15 ft	5	\$359	10	\$670
	HF5-LG-30FT	30 ft	5	\$452	5	\$452

*Each GripPle kit includes cable, GripPle fastener, and an Allen wrench. Sold in bag quantity only.



SIZE	PART#	CABLE LENGTH	BAG QTY	LIST/BAG	CASE QTY	LIST/CASE DISCOUNT
No. 2 Max. Safe Working Load 100lbs. 90° 1/4" Eyelet	HF2-EY90QG-10FT	10 ft	10	\$144	100	\$1,342
	HF2-EY90QG-15FT	15 ft	10	\$165	80	\$1,231
	HF2-EY90QG-30FT	30 ft	10	\$233	50	\$1,089
No. 3 Max. Safe Working Load 200lbs. 90° 1/4" Eyelet	HF3-EY90QG-10FT	10 ft	10	\$179	50	\$835
	HF3-EY90QG-15FT	15 ft	10	\$206	40	\$768
	HF3-EY90QG-30FT	30 ft	10	\$293	20	\$547

*Each Gripple kit includes cable, Gripple fastener, and an Allen wrench. Sold in bag quantity only.



SIZE	PART#	CABLE LENGTH	BAG QTY	LIST/BAG	CASE QTY	LIST/CASE DISCOUNT
No. 2 Max. Safe Working Load 100lbs. LOOP	DT2-LG-10FT	10 ft	10	\$152	60	\$849
	DT2-LG-15FT	15 ft	10	\$174	50	\$808

*Each Gripple kit includes cable, Gripple fastener, and an Allen wrench. Sold in bag quantity only.

ACCESSORY	MODEL	LIST
Cable Cutter	HFWRRC	\$58



ACCESS DOORS

RUSKIN®

Duct Access Doors

Cam and Hinged



ADC-24 Cam



ADH-24 Hinged

Frame: 22 ga. galvanized steel with seal

Door: 24 ga. galvanized steel

ADC-24: Removable, double skin

ADH-24: Hinged, double skin

Hinge (ADH Models Only): Continuous piano type

Locks: ADH Models – Doors 16” and under have one lock, doors over 16” have two locks;

ADC Models – Doors 16” and under have two locks, doors over 16” have four locks.

Maximum Static Pressure: Double skin access doors have been tested to 6” w.g.; Leakage increases as system pressure increases.

Seals: Foam gasket

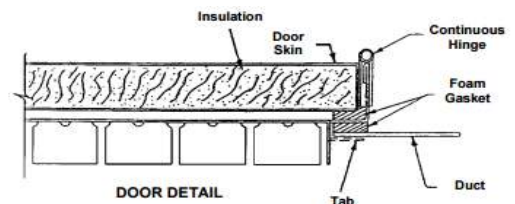
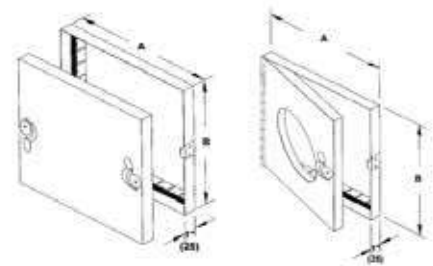
Insulation: 1” fiberglass

Minimum Size: 6”w x 6”h

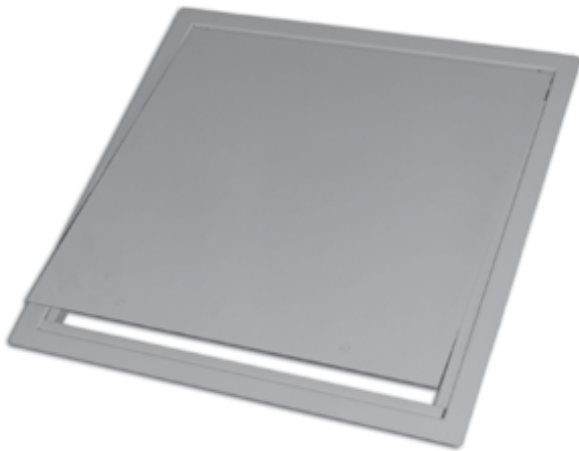
Maximum Size: 24”w x 24”h

Installation: Cut hole 1 1/8” smaller than door size

SIZE	DUCT OPENING	LIST
6 x 6	4-7/8” x 4-7/8”	\$55
8 x 8	6-7/8” x 6-7/8”	\$58
10 x 10	8-7/8” x 8-7/8”	\$65
12 x 12	10-7/8” x 10-7/8”	\$67
14 x 14	12-7/8” x 12-7/8”	\$94
16 x 16	14-7/8” x 14-7/8”	\$105
18 x 12	16-7/8” x 10-7/8”	\$90
18 x 18	16-7/8” x 16-7/8”	\$119
20 x 20	18-7/8” x 18-7/8”	\$130
24 x 24	22-7/8” x 22-7/8”	\$155



Architectural Access Doors



Access Door Style M



Fire Rated Style UFR

SIZE	OPENING	LIST
8 x 8	8-1/4" x 8-1/4"	\$75
10 x 10	10-1/4" x 10-1/4"	\$80
12 x 12	12-1/4" x 12-1/4"	\$85
14 x 14	14-1/4" x 14-1/4"	\$105
16 x 16	16-1/4" x 16-1/4"	\$115
18 x 18	18-1/4" x 18-1/4"	\$135
24 x 24	24-1/4" x 24-1/4"	\$203

SIZE	OPENING	LIST
12 x 12	12-1/2" x 12-1/2"	\$305
14 x 14	14-1/2" x 14-1/2"	\$420
16 x 16	16-1/2" x 16-1/2"	\$446
18 x 18	18-1/2" x 18-1/2"	\$470
22 x 30	22-1/2" x 30-1/2"	\$550
24 x 24	24-1/2" x 24-1/2"	\$475

Milcor M Style Access Doors with 14 ga. one-piece frame are the standard for the industry. The attractive one-piece frame provides:

- 100% clear opening with superior strength, rigidity, and true square shape.
- The 14 ga. door panel is mounted to the frame on concealed spring hinges that open to 175 degrees for complete access without allowing the door to impact the wall.
- For easy opening the cam lock release mechanism moves the edge of the door panel outward as a finger hold.
- Access doors come in a primed finish.

Milcor UFR Fire-rated Doors carry both the UL and CUL 1-1/2 hour, Class B fire rating.

- Certified 250 degree temperature rise protection.
- Insulation offers true safety.
- Reduced sound transmission.
- Automatic panel closer: A strong coil spring makes the door self-closing and self-latching.
- Stainless steel available.
- Access doors come in a primed finish.

ACCESS DOORS

RUSKIN®

Duct Access Doors

Sandwich - Round

Access Doors
Flat Sandwich
ADF



SIZE	LIST
10 x 6	\$105
16 x 12	\$147

Access Doors
Round Sandwich
ADR



SIZE	DIA	LIST
10 x 6	6	\$120
10 x 6	8	\$120
10 x 6	10	\$120
10 x 6	12	\$120
10 x 6	14	\$120
10 x 6	16	\$120
16 x 12	18	\$168
16 x 12	20	\$168
16 x 12	22	\$168
16 x 12	24	\$168

Specifications:

- Formed 20 gauge galvanized steel.
- Contains polyfoam insulation.
- Utilizes closed cell neoprene gasket to ensure proper sealing requirements.
- Increased bolt length allows door to encompass double wall or insulated duct.
- Available in sizes listed here.
- Available for both flat and round duct.

Self adhesive template included for proper installation

Volume Dampers
 Low Pressure
 4" thru 24" Dia are 26 ga.



DIA	LIST
4	\$14
5	\$14
6	\$14
7	\$23
8	\$23
9	\$37
10	\$39
12	\$51
14	\$65
16	\$75
18	\$97
20	\$109
22	\$119
24	\$135

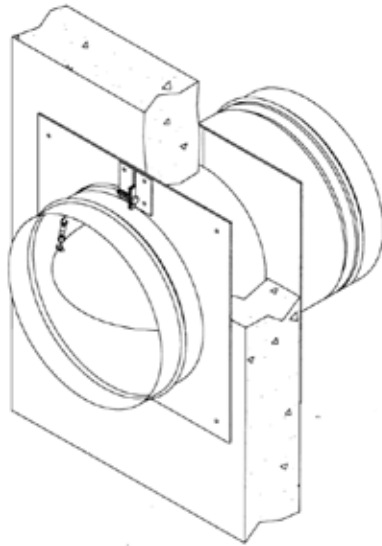
Blast Gate
 Full
 Cast Aluminum / Galvanized Blade



DIA	LIST
3	\$34
4	\$35
5	\$45
6	\$58
7	\$70
8	\$85
9	\$120
10	\$148
12	\$184

Fire Damper True Round

Model FDR25 True Round Fire Damper



DIA	SLEEVE LENGTH	LIST
6	14"	\$178
7	14"	\$200
8	14"	\$200
9	14"	\$220
10	14"	\$220
12	14"	\$240
14	14"	\$260

APPLICATION

The FDR25 is a "true round" fire damper designed for use in fire rated walls and floors and is the perfect choice when using round duct. The FDR25 is rated for maximum velocity of 2,000 fpm and 4" w.g. static pressure. The integral frame and unique "cinch plate" design provides a low cost, high performing damper. When the FDR25 reaches a job site nothing else is required in order to install the damper. The FDR25 now has UL approval for plate on one-side of metal stud or concrete walls.

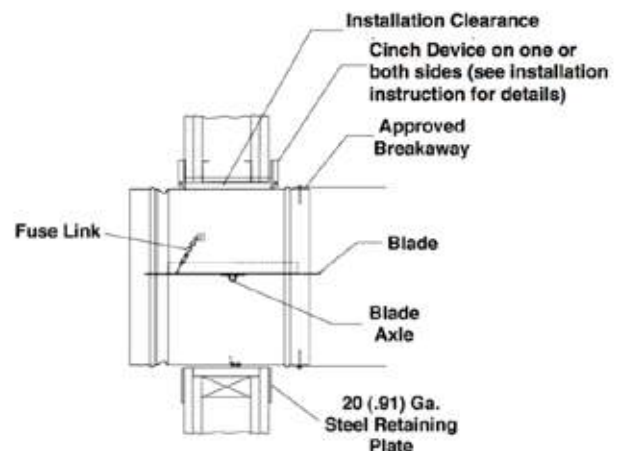
A **square** opening in wood or metal stud walls or masonry walls and floors shall be a minimum of 1" and a maximum of 2-1/2" larger than the damper diameter. See wood stud and metal stud framing for fire dampers installation instructions supplement for complete framing details.

A **round** opening in masonry walls or floors shall be a minimum of 1" and a maximum of 2-1/2" larger than the damper diameter.

Factory supplied retaining "cinch" plates hold the damper within the wall opening. The plates must overlap the opening a minimum of 1/2". The plate fits snugly around the integral sleeve. The plates are fastened directly to the wall or floor.

STANDARD CONSTRUCTION

- **Frame/Sleeve:** 20 gauge galvanized steel, standard 14" integral sleeve and 2 retaining "cinch" plates.
- **Blades:** Single skin 14 gauge equivalent thickness galvanized steel.
- **Bearings:** Stainless steel sleeve, pressed into frame.
- **Axle:** 1/2" diameter.
- **Fuse Link:** 165°F is standard
- **Damper Sizes:** MINIMUM SIZE-6" diameter. MAXIMUM SIZE-Vertical/Horizontal – 24" diameter. Sizes over 14" are not stocked. All Fire Dampers come with (2) wall plates.

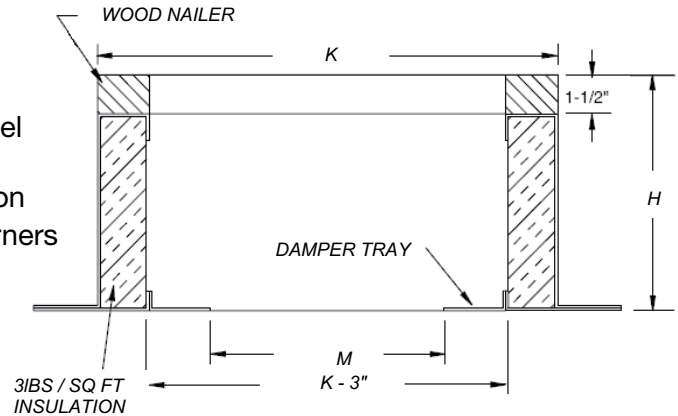


Roof Curbs and Rails

Flat Roof Curb



- Damper Tray
- 18 Gauge Galvanized Steel
- 2 x 2 Wood Nailer
- 1 1/2" Acoustical Insulation
- Continuously Welded Corners



Roof Curbs

MODEL	K	M	ID	H	ROOF CENTRIFUGAL UNITS	LIST
M-16	16-1/2	9-3/4	13-1/2	12	60, 70, 80, 90, 100	\$200
M-18	18-1/2	11-3/4	15-1/2	12	120, 135	\$220
M-22	22-1/2	15-3/4	19-1/2	12	150, 165	\$260
M-28	28-1/2	21-3/4	25-1/2	12	180, 195, 210, 225, 245	\$315
M-34	34-1/2	27-3/4	31-1/2	12	270, 300	\$425
M-40	40-1/2	33-3/4	37-1/2	12	330, 365	\$465

Equipment Rails

MODEL	L	W	H	MATERIAL	LIST
300-2	2'-0"	4"	12"	18 ga. galv.	\$180
300-3	3'-0"	4"	12"	18 ga. galv.	\$230
300-4	4'-0"	4"	12"	18 ga. galv.	\$275
300-6	6'-0"	4"	12"	18 ga. galv.	\$385
300-8	8'-0"	4"	12"	18 ga. galv.	\$485



18 Gauge galvanized steel; Continuously welded corners; 2 x 4 nailer

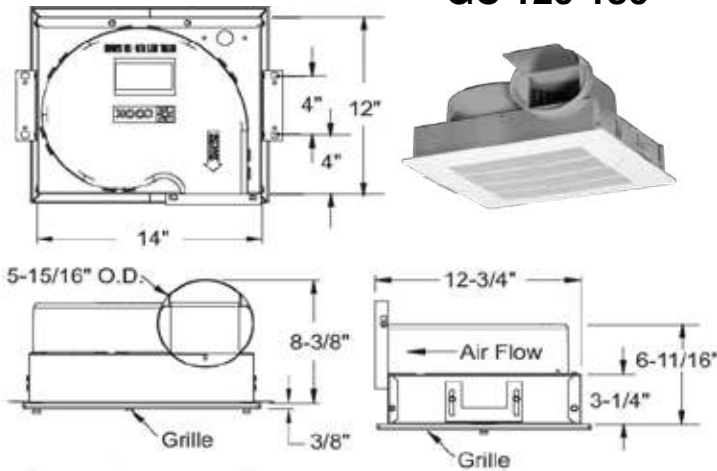
CEILING FANS

LOREN COOK COMPANY



Ceiling Fans

GC 126-186



MODEL	WATTS/ BHP	RPM	BASE LIST
GC-126	50	800	\$280
GC-128	64	900	\$280
GC-146	59	1000	\$290
GC-148	98	1100	\$290
GC-166	103	1200	\$315
GC-168	145	1300	\$315
GC-186	185	1400	\$355
GC-188	220	1500	\$355

- **Description:** Fan shall be ceiling mounted, direct driven, centrifugal exhaust fan.
- **Certifications:** Fan shall be manufactured by an ISO 9001 certified company. Fan shall be listed by Underwriters Laboratories (UL 705) and UL listed for Canada (CUL 507). Fan shall bear the AMCA Certified Ratings Seal for Sound and Air Performance.
- **Construction:** Fan wheel housing and integral outlet duct collar shall be injection molded from a specially engineered resin exceeding UL requirements for smoke and heat generation. The outlet duct shall have provision for an aluminum back draft damper with continuous aluminum hinge rod. The inlet box shall be minimum 22 gauge galvanized steel. Motor shall be isolation mounted to an one piece galvanized stamped steel integral motor mount/inlet. A field wiring compartment with disconnect receptacle shall be standard. To accommodate different ceiling thickness, an adjustable prepunched mounting bracket shall be provided. A white, non-yellowing, high impact styrene injection molded grille shall be provided as standard.
- **Wheel:** Wheel shall be centrifugal forward curved type, injection molded of polypropylene resin. Wheel shall be balanced in accordance with AMCA Standard 204-05, Balance Quality and Vibration Levels for Fans.
- **Motor:** Motor shall be open drip proof type with permanently lubricated sealed bearings and include impedance or thermal overload protection and disconnect plug. Motor shall be furnished at the specified voltage.

Model	RPM	CFM/ Watt at 0.1 SP	0.0 SP		.100 SP		.125 SP		.250 SP		.375 SP		.500 SP		.625 SP		.750 SP		.875 SP		1.000 SP	
			CFM	Sones	CFM	Sones	CFM	Sones	CFM	Sones	CFM	Sones	CFM	Sones	CFM	Sones	CFM	Sones	CFM	Sones	CFM	Sones
GC-126	550	2.5	70	0.3	53	0.3	48	0.3	32	0.7												
★ GC-128	750	2.8	94	0.8	82	0.9	79	0.9	63	1.0	49	1.3	37	2.0								
GC-146	900	2.9	114	1.2	105	1.2	103	1.2	90	1.3	77	1.5	64	2.0	50	2.5	36	3.0				
GC-148	1075	3.1	152	2.5	144	2.5	142	2.5	132	2.5	120	2.5	108	3.0	94	3.0	78	3.5	56	3.5		
GC-166	1100	3.1	164	3.0	157	3.0	155	3.0	145	3.0	133	3.0	119	3.0	105	3.0	88	3.5	66	3.5	40	3.5
GC-168	1160	3.0	180	3.5	173	3.5	171	3.5	162	3.5	150	3.5	136	4.0	121	4.0	105	4.5	86	4.5	54	5.0
GC-186	1100	2.4	231	5.5	226	5.5	225	5.5	218	5.5	209	5.5	199	5.0	186	5.0	170	5.0	151	5.0	129	4.5
GC-188	1450	2.2	261	7.0	254	6.5	252	6.5	244	6.5	235	6.0	223	6.0	209	6.0	191	5.5	172	5.5	150	5.5

★ ENERGY STAR® certified.

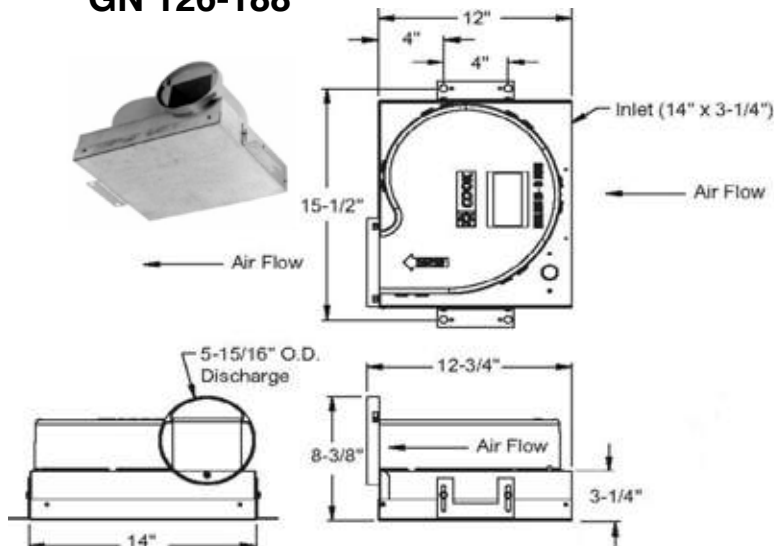
Performance certified is for Installation Type B: Free Inlet, Ducted Outlet. Performance ratings for GC-126 through GC-188 include the effects of inlet grille. Speed (RPM) shown is nominal. Performance is based on actual speed of the test. The sound ratings shown are loudness values in spherical sones at 5 ft. (1.5m) in a spherical free field calculated per AMCA Standard 301. Values shown are for Installation Type B: Free inlet spherical sone levels.



In-Line Fans

MODEL	WATTS/ BHP	RPM	BASE LIST
GN-126	49	800	\$280
GN-128	65	900	\$280
GN-146	58	1000	\$290
GN-148	100	1100	\$290
GN-166	102	1200	\$315
GN-168	142	1300	\$315
GN-186	189	1400	\$355
GN-188	224	1500	\$355

GN 126-188



- **Description:** Fan shall be in-line mounted, direct driven, centrifugal exhaust fan.
- **Certifications:** Fan shall be manufactured by an ISO 9001 certified company. Fan shall be listed by Underwriters Laboratories (UL 705) and UL listed for Canada (CUL 705). Fan shall bear the AMCA Certified Ratings Seal for Sound and Air Performance.
- **Construction:** Fan wheel housing and integral outlet duct collar shall be injection molded from a specially engineered resin exceeding UL requirements for smoke and heat generation. The outlet duct shall have provision for an aluminum back draft damper with continuous aluminum hinge rod. The inlet box shall be minimum 22 gauge galvanized steel. Motor shall be isolation mounted to an one piece galvanized stamped steel integral motor mount/inlet. A field wiring compartment with disconnect receptacle shall be standard. To accommodate different mounting positions, an adjustable prepunched mounting bracket shall be provided. Unit shall be shipped in ISTA Certified Transit Tested Packaging
- **Wheel:** Wheel shall be centrifugal forward curved type, injection molded of polypropylene resin. Wheel shall be balanced in accordance with AMCA Standard 204-05, Balance Quality and Vibration Levels for Fans.
- **Motor:** Motor shall be open drip proof type with permanently lubricated sealed bearings and include impedance or thermal overload protection and disconnect plug. Motor shall be furnished at the specified voltage and phase.

Model	RPM	CFM/ Watt at 0.1 SP	0.0 SP		.100 SP		.125 SP		.250 SP		.375 SP		.500 SP		.625 SP		.750 SP		.875 SP		1.000 SP	
			CFM	Sones	CFM	Sones	CFM	Sones	CFM	Sones	CFM	Sones	CFM	Sones	CFM	Sones	CFM	Sones	CFM	Sones	CFM	Sones
GN-126	550	2.5	70	0.3	53	0.3	48	0.3	32	0.7												
GN-128	750	2.8	94	0.8	82	0.9	79	0.9	63	1.0	49	1.3	37	2.0								
GN-146	900	2.9	114	1.2	105	1.2	103	1.2	90	1.3	77	1.5	64	2.0	50	2.5	36	3.0				
GN-148	1075	3.1	152	2.5	144	2.5	142	2.5	132	2.5	120	2.5	108	3.0	94	3.0	78	3.5	56	3.5		
GN-166	1100	3.1	164	3.0	157	3.0	155	3.0	145	3.0	133	3.0	119	3.0	105	3.0	88	3.5	66	3.5	40	3.5
GN-168	1160	3.0	180	3.5	173	3.5	171	3.5	162	3.5	150	3.5	136	4.0	121	4.0	105	4.5	86	4.5	54	5.0
GN-186	1100	2.4	231	5.5	226	5.5	225	5.5	218	5.5	209	5.5	199	5.0	186	5.0	170	5.0	151	5.0	129	4.5
GN-188	1450	2.2	261	7.0	254	6.5	252	6.5	244	6.5	235	6.0	223	6.0	209	6.0	191	5.5	172	5.5	150	5.5

Performance certified is for Installation Type B: Free Inlet, Ducted Outlet. Performance ratings for GN-126 through GN-188 include the effects of inlet grille. Speed (RPM) shown is nominal. Performance is based on actual speed of the test. The sound ratings shown are loudness values in spherical sones at 5 ft. (1.5m) in a spherical free field calculated per AMCA Standard 301. Values shown are for Installation Type B: Free inlet spherical sone levels.

CEILING FANS

LOREN COOK COMPANY



Ceiling Fans GC/GN Fan Accessories

Fan Speed Control

Model FSC

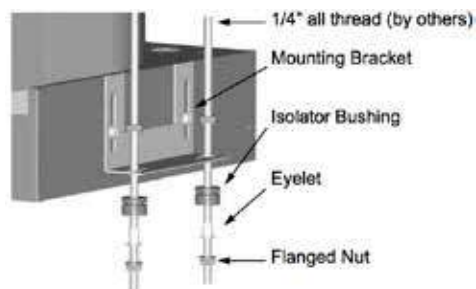
For use with Models GC/GN 126-188



MODEL	LIST
FSC	\$75

Rubber Isolators

Model RIS

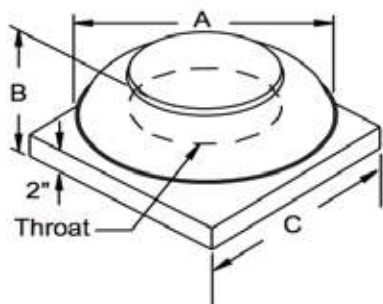


MODEL	LIST
RIS	\$35

Roof Cap Curb Mount

Model PR-8 with bird screen

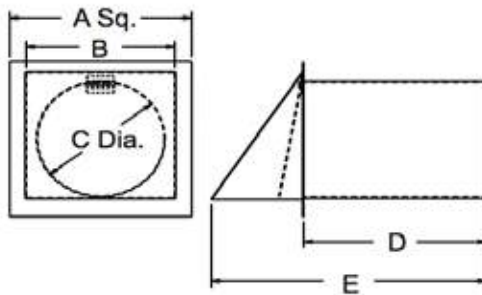
Roof Curb Sold Separately (Pg. 39)



Round Duct Wall Cap

6" Dia. Wall Cap with Damper

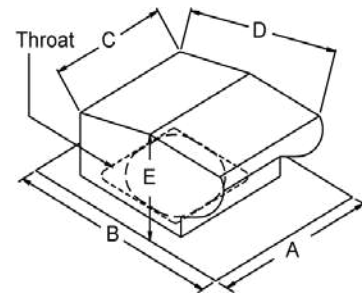
Model WCR6



Roof Jack

Steel, bird screen, backdraft damper, integral flashing

Model RJR-100

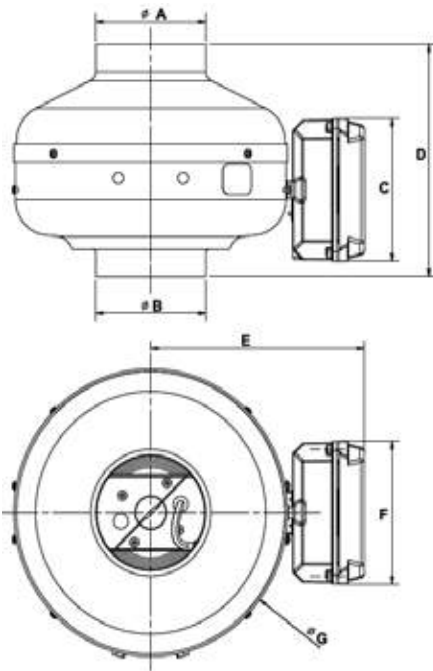


MODEL	LIST	A	B	C	THROAT DIA
PR-8	\$310	18-1/4	10-1/8	18	8-19/32

MODEL	LIST	A	B	C	D	E	THROAT SIZE
RJR-100	\$110	14-1/4	18-3/4	10-3/8	14-1/2	6-1/2	6 Dia

MODEL	LIST	A SQ.	B	C DIA	D	E
WCR6	\$65	8	7	6	8-1/2	12-3/4

In-Line Duct Fan



All **POWERVENT** (PV) fan models incorporate a powerful external rotor motor that has been factory matched to a nonoverloading backward curved centrifugal fan wheel. This powerful combination enables the PV fan to deliver exceptional airflow performances against high static pressure typically found in ducted ventilation systems.

All motors within PV fans are fully speed controllable using voltage or frequency control regulators.

The PV series of duct exhaust or supply fans have been specifically designed for simple installation and many years of maintenance free operation. The PV fans can be mounted at any angle and at any point along the duct. The totally enclosed motor design allows the PV fans to operate in high moisture lint and dust laden air. All models are manufactured with high quality materials and workmanship that is supported by a comprehensive five (5) year warranty.

All PV fans feature a corrosion resistant galvanized steel casing with black baked enamel coating and are supplied with a strong mounting bracket and prewired junction box. The interconnect wiring between the fan and the junction box provides flexibility and permits easy access to the fan for service and maintenance.

MODEL	NOMINAL	A/B	C	D	E	F	G	LIST
PV-100X	4"	3-13/16	4-3/4	7-11/16	7-1/2	4-3/4	9-9/16	\$400
PV-150X	6"	5-13/16	4 3/4	8-7/16	9-5/16	4-3/4	13-1/8	\$500
PV-200X	8"	7-13/16	4-3/4	8-3/4	9-5/16	4-3/4	13-1/8	\$675
PV-250X	10"	9-3/4	4-3/4	8-1/16	9-5/16	4-3/4	13-1/8	\$800
PV-315X	12.4"	12-5/16	4-3/4	9-3/16	10-9/16	4-3/4	15-13/16	\$1045

*All dimensions shown in inches.

CFM vs. Static Pressure

MODEL	MAX RPM	VOLT	MAX WATT											MAX SP"	LIST PRICE		
				0"	.125"	.25"	.375"	.5"	.75"	1.0"	1.25"	1.5"	FAN		BDD	VIB CLAMP	
PV-100X	2880	115	84	153	142	130	120	111	96	80	63	35	1.85	\$400	\$24	\$30	
PV-150X	2770	115	130	390	367	340	312	285	233	193	153	110	2.05	\$500	\$30	\$35	
PV-200X	2930	115	180	544	515	485	446	415	360	312	273	230	2.64	\$675	\$34	\$48	
PV-250X	3045	115	214	618	595	570	540	510	450	390	340	297	2.80	\$800	\$46	\$58	
PV-315X	2650	115	370	942	905	859	811	762	622	508	440	390	3.90	\$1045	\$60	\$64	

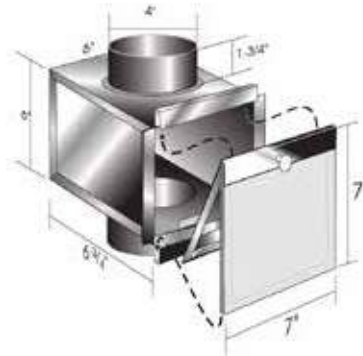
LINT TRAP AND DUCT FAN ACCESSORIES



In-Line Lint Trap for Dryer Vent



Lint Trap For 2"x6" walls. 4" collars.
Features wire mesh filters.



LIST

\$160

Duct Fan Accessories



Model FSC

LIST

\$75



Model ACOP

Controls

Variable Speed Controls allow airflow control for any application.

Vibration Isolating Fan Clamps

Reduces vibration in rigid ductwork installations. Two clamps required per fan. 4" to 12" sizes.

For prices see page 43.



Model CAR

Backdraft Damper

Spring loaded. Vertical or horizontal mount. Galvanized sheet metal construction. 4, 6, 8, 10, 12" sizes

For prices see page 43.



Model SPT-100X

LIST

\$180

Pressure Sensing Switch

Senses negative or positive pressure changes in a duct. Can be used to activate a booster fan or makeup air fan when an ARI exhaust appliance is turned on.

For use with PV-100X fan only.

USEFUL ENGINEERING INFORMATION

AREA	MIN/CHG
Assembly Halls	3-10
Auditoriums	4-15
Bakeries	1-3
Boiler Rooms	2-4
Bowling Alleys	2-8
Dry Cleaners	1-5
Engine Rooms	1-1.5
Factories	1-5
Forges	1-2
Foundries	1-4
Garages	2-10
Generating Rooms	2-5
Glass Plants	1-2
Gynasiums	2-10
Heat Treat Rooms	.05-1
Kitchens	1-3
Laundries	2-5
Locker Rooms	2-5

U.S. Sheet Metal Gauges

GALVANIZED STEEL		
US GA.	THICKNESS	WT LB/FT 2
26	0.0217	0.906
24	0.0276	1.156
22	0.0336	1.406
20	0.0396	1.656
18	0.0516	2.156
16	0.0635	2.656
14	0.0785	3.281
12	0.1084	4.531

AREA	MIN/CHG
Machine Shops	3-5
Mills (paper)	2-3
Mills (textile)	5-15
Packing House	2-15
Recreation Room	2-8
Residences	2-5
Restaurants	5-10
Retail Shops	3-10
Shops (general)	3-10
Theaters	3-8
Toilets	2-5
Transformer Room	1-5
Turbine Room	2-6
Warehouses	2-10

Suggested Air Changes

To determine the required CFM divide the room volume by the appropriate "minutes per change" value.

CFM = Room Volume / minimum change

Room Volume =
L x W x H

Suggested Limits for Room Loudness

SONES	DBA	ROOM TYPE
1.3-4	32-48	Private Home
1.7-5	36-51	Conference Room
2-6	38-54	Libraries, Movie Theaters
2-6	38-54	Hotel Rooms, Executive Office
2.5-8	41-58	School Classrooms, Hospital Wards
3-9	44-60	Court Rooms, Museums, Apartments
4-12	48-64	Restaurants, Lobbies, Banks
5-15	51-67	Corridors, Bathrooms, Bars
7-21	56-72	Hotel Kitchens, Supermarkets
12-36	64-80	Light Machinery, Assembly Line
15-50	67-84	Machine Shop
25-60	74-87	Heavy Machinery

